



HILTI HDA UNDERCUT ANCHOR

ETA-18/0974 (30.11.2020)



[English](#) 2-23

[Deutsch](#) 25-46

Approval body for construction products
and types of construction

Bautechnisches Prüfamt

An institution established by the Federal and
Laender Governments



European Technical Assessment

ETA-18/0974
of 30 November 2020

English translation prepared by DIBt - Original version in German language

General Part

Technical Assessment Body issuing the
European Technical Assessment:

Deutsches Institut für Bautechnik

Trade name of the construction product

Hilti undercut anchor HDA

Product family
to which the construction product belongs

Post-installed fasteners in concrete
under fatigue cyclic loading

Manufacturer

Hilti Aktiengesellschaft
Feldkircherstrasse 100
9494 SCHAAN
FÜRSTENTUM LIECHTENSTEIN

Manufacturing plant

Hilti Plants

This European Technical Assessment
contains

22 pages including 3 annexes which form an integral part
of this assessment

This European Technical Assessment is
issued in accordance with Regulation (EU)
No 305/2011, on the basis of

EAD 330250-00-0601, Edition 06/2020

This version replaces

ETA-18/0974 issued on 20 June 2019

The European Technical Assessment is issued by the Technical Assessment Body in its official language. Translations of this European Technical Assessment in other languages shall fully correspond to the original issued document and shall be identified as such.

Communication of this European Technical Assessment, including transmission by electronic means, shall be in full. However, partial reproduction may only be made with the written consent of the issuing Technical Assessment Body. Any partial reproduction shall be identified as such.

This European Technical Assessment may be withdrawn by the issuing Technical Assessment Body, in particular pursuant to information by the Commission in accordance with Article 25(3) of Regulation (EU) No 305/2011.

Specific Part

1 Technical description of the product

The Hilti undercut anchor HDA consists of a Hilti Cone bolt HDA -P or HDA -T with ring, sleeve, bolt and cap, a Hilti sealing washer, a spherical washer, nut and a lock nut and an injection mortar Hilti HIT-HY 200-A or Hilti HIT-HY 200-R.

The product description is given in Annex A.

2 Specification of the intended use in accordance with the applicable European Assessment Document

The performances given in Section 3 are only valid if the anchor is used in compliance with the specifications and conditions given in Annex B.

The verifications and assessment methods on which this European Technical Assessment is based lead to the assumption of a working life of the anchor of at least 50 years. The indications given on the working life cannot be interpreted as a guarantee given by the producer, but are to be regarded only as a means for choosing the right products in relation to the expected economically reasonable working life of the works.

3 Performance of the product and references to the methods used for its assessment

3.1 Mechanical resistance and stability (BWR 1)

Essential characteristic	Performance
Characteristic fatigue resistance under cyclic tension loading (Assessment method A)	
Characteristic steel fatigue resistance	See Annexes C1 and C4
Characteristic concrete cone, pull-out, splitting and blow out fatigue resistance	
Characteristic combined pull- out /concrete cone fatigue resistance	
Characteristic fatigue resistance under cyclic shear loading (Assessment method A)	
Characteristic steel fatigue resistance	See Annexes C2 to C5
Characteristic concrete edge fatigue resistance	
Characteristic concrete pry out fatigue resistance	

Essential characteristic	Performance
Characteristic fatigue resistance under cyclic combined tension and shear loading (Assessment method A)	
Characteristic steel fatigue resistance	See Annex C5
Load transfer factor for cyclic tension and shear loading	
Load transfer factor	See Annex C1 to C5

4 Assessment and verification of constancy of performance (AVCP) system applied, with reference to its legal base

In accordance with European Assessment Document No. 330250-00-0601, the applicable European legal act is: [96/582/EC].

The system to be applied is: 1

5 Technical details necessary for the implementation of the AVCP system, as provided for in the applicable European Assessment Document

Technical details necessary for the implementation of the AVCP system are laid down in the control plan deposited with Deutsches Institut für Bautechnik.

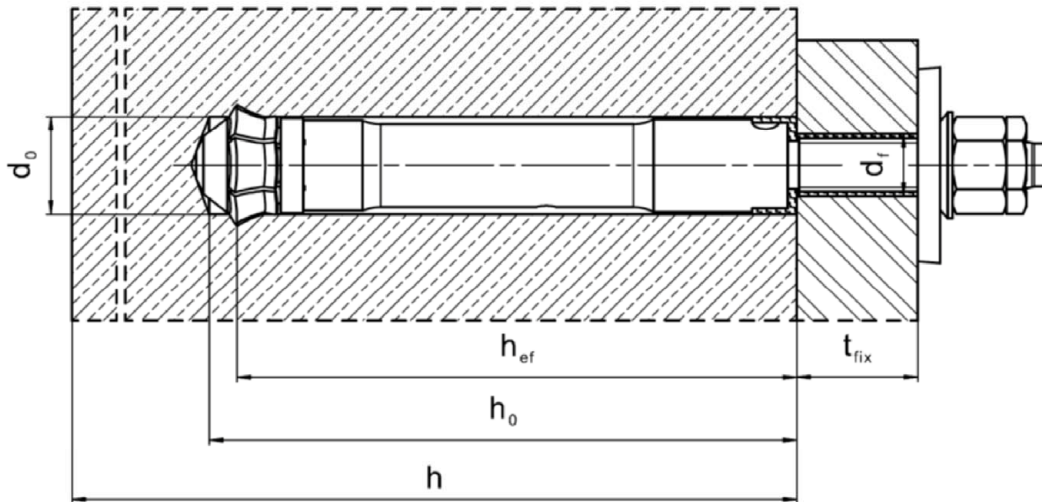
Issued in Berlin on 30 November 2020 by Deutsches Institut für Bautechnik

Dipl.-Ing. Beatrix Wittstock
Head of Section

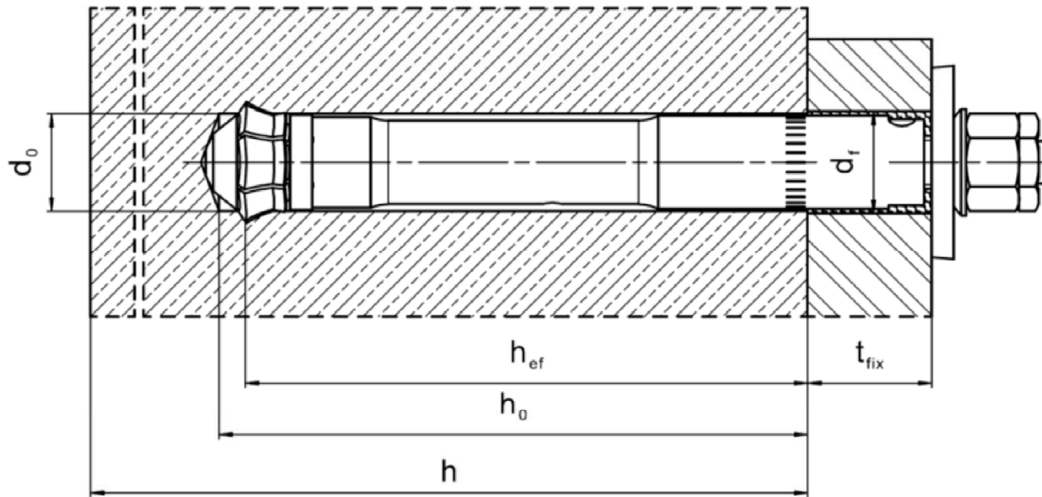
beglaubigt:
Baderschneider

Installed condition

Hilti HDA-P installed with Hilti filling set (pre-setting)



Hilti HDA-T installed with Hilti filling set (through-setting)



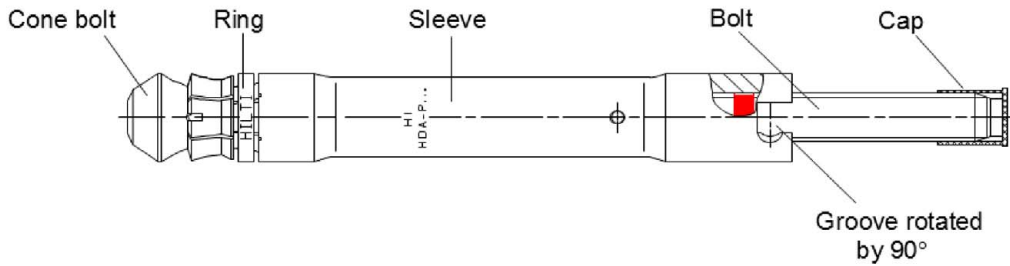
Hilti undercut anchor HDA

Product description
Installed condition

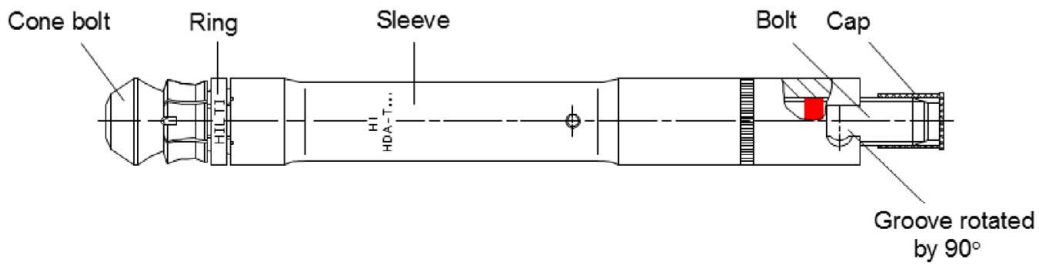
Annex A1

Product description

Hilti undercut anchor HDA-P

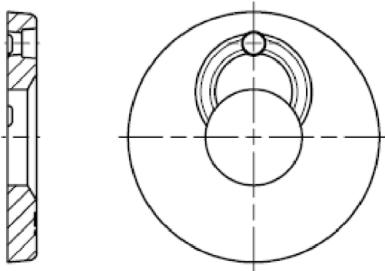


Hilti undercut anchor HDA-T

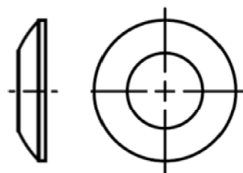


Hilti filling set

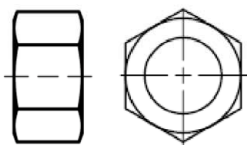
Sealing washer



Spherical washer



Hexagon nut



Lock nut



Hilti undercut anchor HDA

Product description
Product types and parts

Annex A2

Injection mortar Hilti HIT-HY 200-A and Hilti HIT-HY 200-R: hybrid system with aggregate
Foil pack 330 ml and 500 ml

Marking:
HILTI HIT
Production number and
production line
Expiry date mm/yyyy



Product name: "Hilti HIT-HY 200-A"



Product name: "Hilti HIT-HY 200-R"

Static mixer Hilti HIT-RE-M



Hilti undercut anchor HDA

Product description
Product types and parts

Annex A3

Product materials and marking

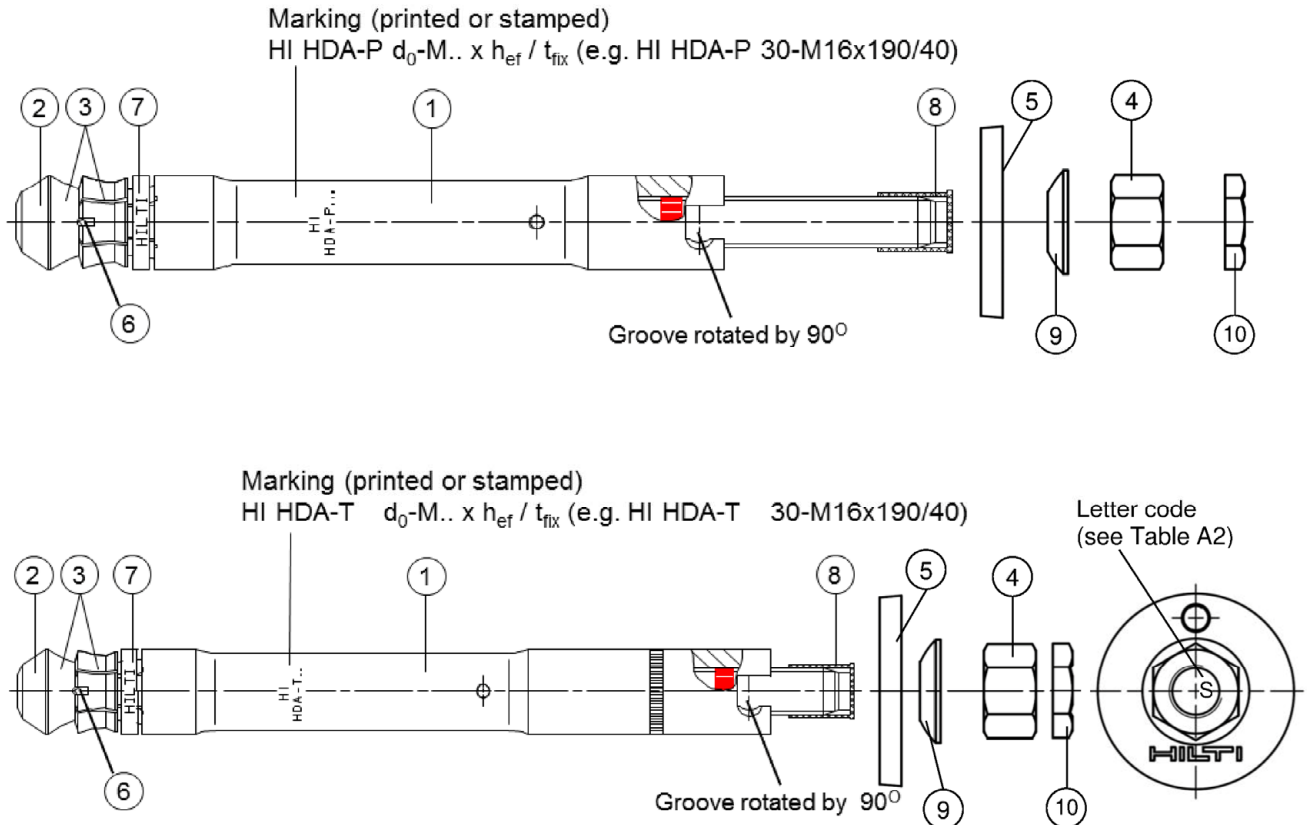


Table A1: Materials HDA-P and HDA-T and Hilti filling set

Part	Designation	HDA-P / HDA-T (galvanized $\geq 5\mu\text{m}$)
1	Sleeve	Machined carbon steel with brazed tungsten carbide tips
2	Bolt	M10 - M16: Cold formed steel, steel strength 8.8 M20: Cone machined, rod steel strength 8.8
3	Coating of bolt and sleeve	Galvanized 5-25 μm
4	Hexagon nut	M10 - M16: Class 8, h=1*d, galvanized M20: Class 8, galvanized
5	Filling washer	Electroplated zinc coated $\geq 5\mu\text{m}$
6	Cutting edges	Tungsten carbide
7	Ring	Plastic ring
8	Cap	Plastic cap
9	Spherical washer	Electroplated zinc coated $\geq 5\mu\text{m}$
10	Lock nut	Electroplated zinc coated $\geq 5\mu\text{m}$

Hilti undercut anchor HDA

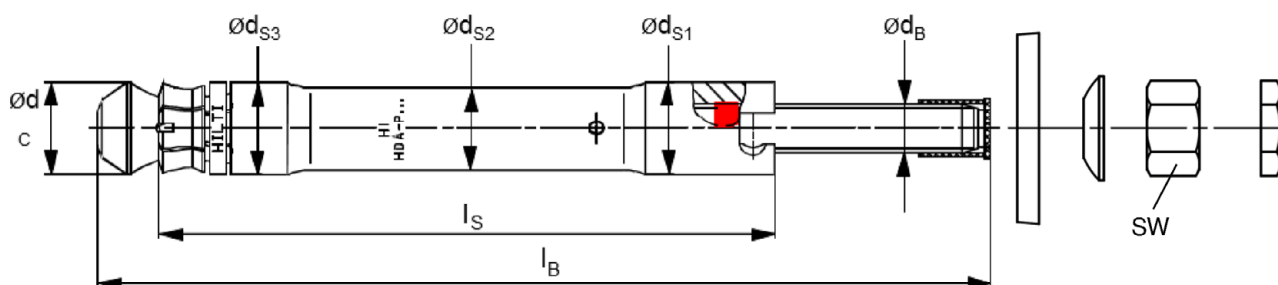
Product description
Product materials and marking

Annex A4

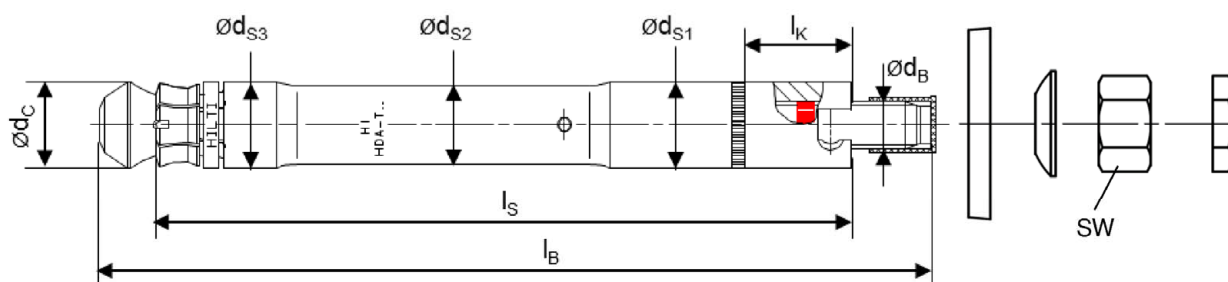
Table A2: Fastener dimensions

Fastener type	$t_{fix,max}$ [mm]	l_B [mm]	Length code letter	l_S [mm]	l_k [mm]	SW	d_{S1} [mm]	d_{S2} [mm]	d_{S3} [mm]	d_C [mm]	d_B [mm]
HDA-P M10x100/20	20	150	I	100	-	17	19	16,8	18,5	19,5	10
HDA-T M10x100/20	20	150	I	120	17	17	19	16,8	18,5	19,5	10
HDA-P M12x125/30	30	190	L	125	-	19	21	18,8	20,5	21,4	12
HDA-P M12x125/50	50	210	N	125	-	19	21	18,8	20,5	21,4	12
HDA-T M12x125/30	30	190	L	155	27	19	21	18,8	20,5	21,4	12
HDA-T M12x125/50	50	210	N	175	47	19	21	18,8	20,5	21,4	12
HDA-P M16x190/40	40	275	R	190	-	24	29	26	29	29	16
HDA-P M16x190/60	60	295	S	190	-	24	29	26	29	29	16
HDA-T M16x190/40	40	275	R	230	35,5	24	29	26	29	29	16
HDA-T M16x190/60	60	295	S	250	55,5	24	29	26	29	29	16
HDA-P M20x250/50	50	360	V	250	-	30	35	32	35	36	20
HDA-P M20x250/100	100	410	X	250	-	30	35	32	35	36	20
HDA-T M20x250/50	50	360	V	300	45	30	35	32	35	36	20
HDA-T M20x250/100	100	410	X	350	95	30	35	32	35	36	20

Pre-setting anchor HDA-P (pre-positioning)



Through-fastening anchor HDA-T (post-positioning)



Hilti undercut anchor HDA

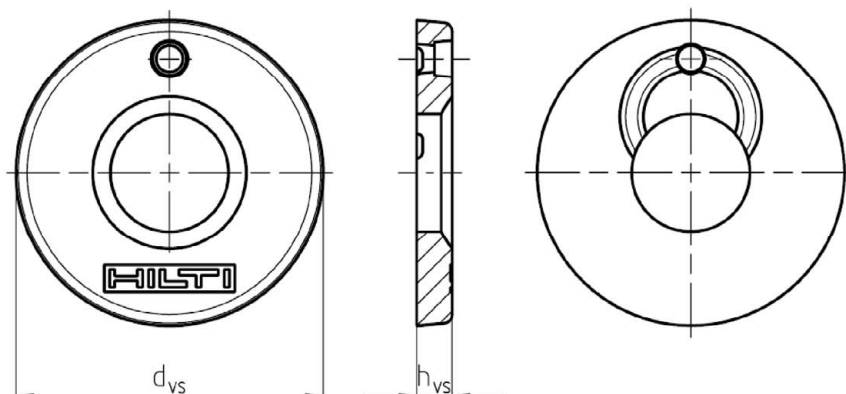
Product description
Fastener dimensions

Annex A5

Table A3: Hilti filling washer dimensions

Fastener size	Hilti filling set size	Hilti filling washer	
		Diameter d_{vs} [mm]	Thickness h_{vs} [mm]
HDA-P M10	M10	42	5
HDA-T M10			
HDA-P M12	M12	44	5
HDA-T M12			
HDA-P M16	M16	52	6
HDA-T M16			
HDA-P M20	M20	60	6
HDA-T M20			

Hilti filling washer



Hilti undercut anchor HDA

Product description
Filling washer dimensions

Annex A6

Specifications of intended use

Anchorage subject to:

- Fatigue cycling loading.
- Note: static and quasi-static load according to ETA-99/0009.

Base material:

- Reinforced or unreinforced normal weight concrete according to EN 206:2013 + A1:2016.
- Strength classes C20/25 to C50/60 according to EN 206:2013 + A1:2016.
- Cracked and uncracked concrete.

Use conditions (environmental conditions):

- Structures subject to dry internal conditions.

Design:

- Anchorages are designed under the responsibility of an engineer experienced in anchorages and concrete work.
- Verifiable calculation notes and drawings are prepared taking account of the loads to be anchored. The position of the anchor is indicated on the design drawings (e. g. position of the anchor relative to reinforcement or to supports, etc.).
- Anchorages under fatigue cycling loading are designed in accordance with:
EN 1992-4:2018 and EOTA Technical Report TR 061:2020-01.

Installation:




- Drilling technique: hammer drilling with Hilti stop drill bit.
- Fastener installation carried out by appropriately qualified personnel and under the supervision of the person responsible for technical matters of the site.
- Fastener installation in accordance with the manufacturer's specifications and drawings and using the appropriate tools (hammer drill, setting tool, stop drill bit, filling set).
- The drill hole is realized with the specified Hilti stop drill bit by hammer drilling technique.
- The fastener is inserted in the cleaned drill hole by hand.
- With the specified setting tool and hammer drill, the fastener is expanded in the drill hole until the marking of the setting tool matches with the surface of the concrete (HDA-P) or with the surface of the fixture (HDA-T).
- The fastener is completely expanded, if the coloured ring of the rod exceeds beyond the upper end of the sleeve. In case the coloured ring is not visible yet out of the sleeve, the setting must be continued.
- After the complete expansion of the fastener, the recess of the sleeve with respect to the concrete surface (HDA-P) or to the surface of the fixture (HDA-T) shall be in the range specified in Table B3, Annex B4.
- Application of the torque moment given in Table B3, Annex B4 using a calibrated torque wrench.

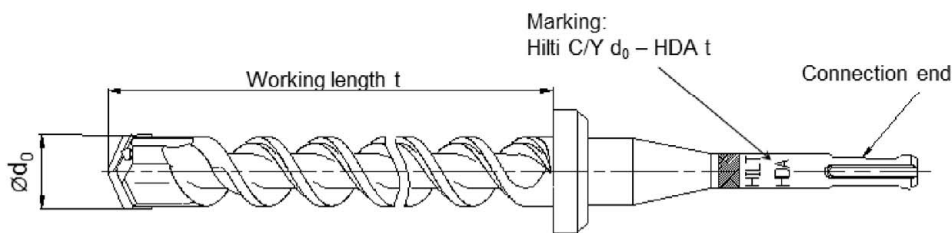
Hilti undercut anchor HDA

Intended use
Specifications

Annex B1

Table B1: Required stop drill bits for HDA

Fastener	Stop drill bit with		Nominal Working length t [mm]	Drill bit diameter d ₀ [mm]
	TE-C connection end	TE-Y connection end		
			t [mm]	d ₀ [mm]
HDA-P M10x100/20	TE-C-HDA-B 20x100	TE-Y-HDA-B 20x100	107	20
HDA-T M10x100/20	TE-C-HDA-B 20x120	TE-Y-HDA-B 20x120	127	20
HDA-P M12x125/30 HDA-P M12x125/50	TE-C HDA-B 22x125	TE-Y HDA-B 22x125	133	22
HDA-T M12x125/30	TE-C HDA-B 22x155	TE-Y HDA-B 22x155	163	22
HDA-T M12x125/50	TE-C HDA-B 22x175	TE-Y HDA-B 22x175	183	22
HDA-P M16x190/40 HDA-P M16x190/60	-	TE-Y HDA-B 30x190	203	30
HDA-T M16x190/40	-	TE-Y HDA-B 30x230	243	30
HDA-T M16x190/60	-	TE-Y HDA-B 30x250	263	30
HDA-P M20x250/50 HDA-P M20x250/100	-	TE-Y HDA-B 37x250	266	37
HDA-T M20x250/50	-	TE-Y HDA-B 37x300	316	37
HDA-T M20x250/100	-	TE-Y HDA-B 37x350	366	37






Hilti undercut anchor HDA

Intended use
Required stop drill bits

Annex B2

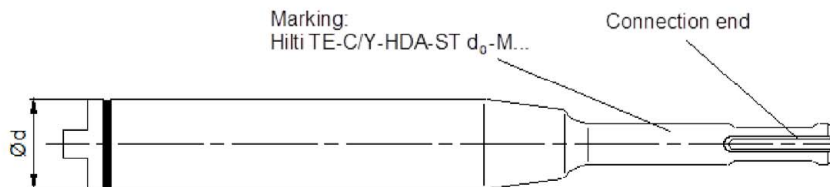
Table B2: Required setting tools and hammer drills for the setting of HDA

Fastener 	Setting tool 	Ød [mm]	Connection end	Hammer drill 													
				TE 24	TE 25 ¹⁾	TE 30-A36	TE 40 (AVR)	TE 56 ²⁾	TE 56-ATC ²⁾	TE 60	TE 60-ATC	TE 70 ^{2) 3)}	TE 70-ATC ^{2) 3)}	TE 75 ²⁾	TE 76 ²⁾	TE 76-ATC ²⁾	TE 80 -ATC (AVR)
HDA-P/T M10x100/20	TE-C-HDA-ST 20-M10	20	TE-C	■	■	■	■										
	TE-Y-HDA-ST 20-M10	20	TE-Y					■	■								
HDA-P/T M12x125/30 HDA-P/T M12x125/50	TE-C-HDA-ST 22-M12	22	TE-C	■	■	■	■										
	TE-Y-HDA-ST 22-M12	22	TE-Y					■	■								
HDA-P/T M16x190/40 HDA-P/T M16x190/60	TE-Y-HDA-ST 30-M16	30	TE-Y									■	■	■	■		
HDA-P/T M20x250/50 HDA-P/T M20x250/100	TE-Y-HDA-ST 37-M20	37	TE-Y									■		■	■		

¹⁾ TE25: first gear only.

²⁾ TE56 (-ATC), TE70 (-ATC), TE75, TE76 (-ATC): use with max. impact energy.

³⁾ TE70: only with concrete member thickness $h_{min} \geq 300$ mm.



Hilti undercut anchor HDA

Intended use

Required setting tools and hammer drills for the setting

Annex B3

Table B3: Installation parameters

Fastener type Pre-setting / Through-setting	HDA M10		HDA M12		HDA M16		HDA M20	
	P	T	P	T	P	T	P	T
Nominal diameter of drill bit d_0 [mm]	20		22		30		37	
Cutting diameter of drill bit $d_{cut \leq}$ [mm]	20,55		22,55		30,55		37,70	
Depth of drill hole h_1 [mm]	107	≥ 107	133	≥ 133	203	≥ 203	266	≥ 266
Diameter of clearance hole in the fixture d_f [mm]	12	21	14	23	18	32	22	40
Minimum fixture thickness $t_{fix,min}$ [mm]	10	15	10	20	10	20	10	20
Maximum fixture thickness $t_{fix,max}$ [mm]	see Table A2, Annex A5							
Sleeve recess ¹⁾ h_s [mm]	$2 \leq h_s \leq 6$		$2 \leq h_s \leq 7$		$2 \leq h_s \leq 8$		$2 \leq h_s \leq 8$	
Installation torque T_{inst} [Nm]	50		80		120		300	

¹⁾ sleeve recess after setting of the fastener:

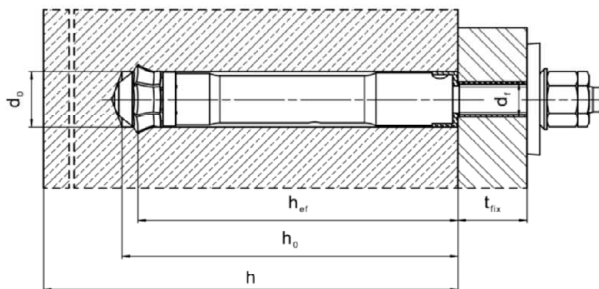
a) Pre-setting anchor HDA-P:

distance from surface of the concrete member to top edge of the anchor sleeve, see Annex A1.

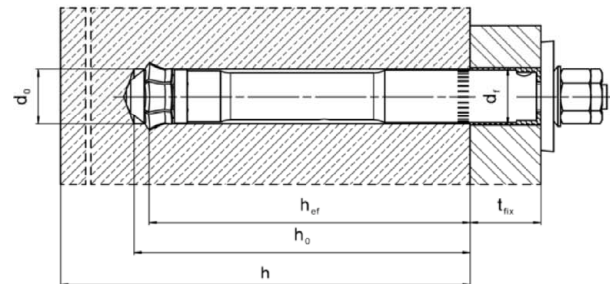
b) Through-fastening anchor HDA-T:

distance from top edge of the fixture to top edge of the anchor sleeve, see Annex A1.

**Pre-setting anchor
HDA-P (pre-positioning)**



**Through-setting anchor
HDA-T (post-positioning)**



Hilti undercut anchor HDA

Intended use
Installation parameters

Annex B4

Table B4: Minimum thickness of concrete member, HDA-P

Fastener type	HDA-P M10	HDA-P M12	HDA-P M16	HDA-P M20
Minimum thickness of concrete member h_{min} [mm]	180	200	270	350

Table B5: Minimum thickness of concrete member, HDA-T

Fastener type	HDA-T M10	HDA-T M12		HDA-T M16		HDA-T M20	
Maximum fixture thickness $t_{fix,max}^{1)}$ [mm]	20	30	50	40	60	50	100
Minimum thickness of concrete member $h_{min}^{2)}$ [mm]	200- t_{fix}	230- t_{fix}	250- t_{fix}	310- t_{fix}	330- t_{fix}	400- t_{fix}	450- t_{fix}

¹⁾ $t_{fix,max}$ maximum fastenable thickness, see Table B3, Annex B4.

²⁾ h_{min} is dependent on the actual fixture thickness t_{fix} (use of a stop drill bit).

e.g. HDA-T 22-M12x125/50: $t_{fix} = 20\text{mm} \rightarrow h_{min} = 250-20 = 230\text{mm}$
 $t_{fix} = 50\text{mm} \rightarrow h_{min} = 250-50 = 200\text{mm}$

Table B6: Minimum spacing and minimum edge distances of fasteners

HDA-P / HDA-T	M10	M12	M16	M20
Cracked concrete				
Minimum spacing ¹⁾ s_{min} [mm]	100	125	190	250
Minimum edge distance ²⁾ c_{min} [mm]	80	100	150	200
Uncracked concrete				
Minimum spacing ¹⁾ s_{min} [mm]	100	125	190	250
Minimum edge distance ²⁾ c_{min} [mm]	80	100	150	200

¹⁾ ratio $s_{min} / h_{ef} = 1,0$

²⁾ ratio $c_{min} / h_{ef} = 0,8$

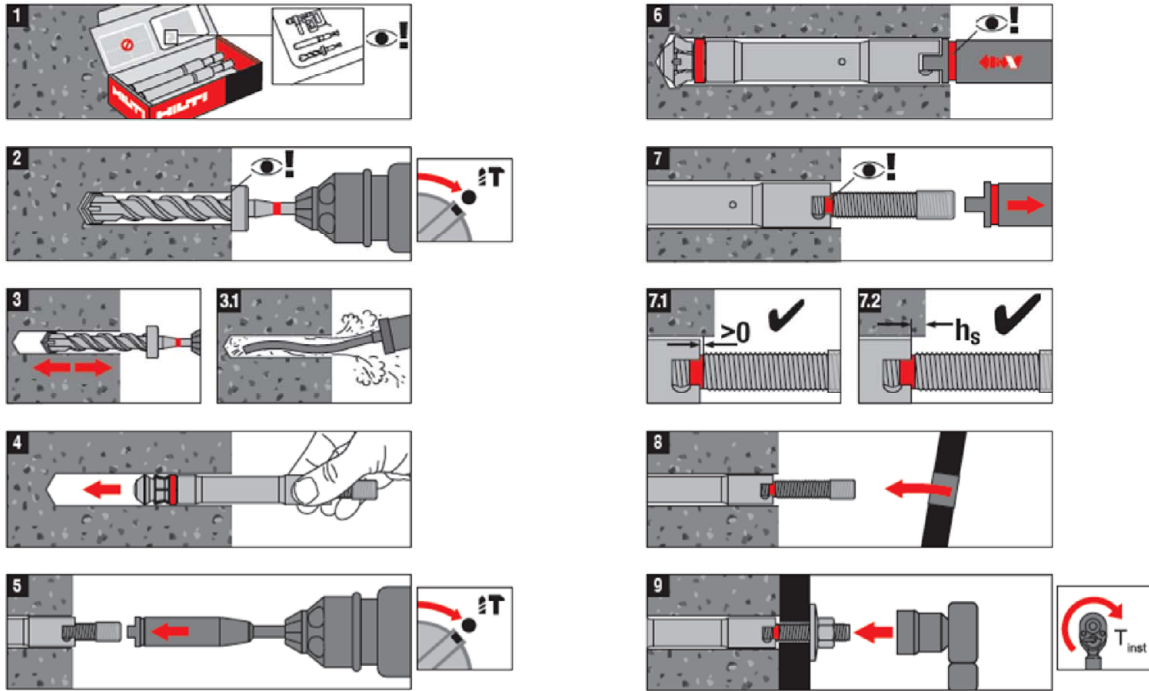
Hilti undercut anchor HDA

Intended use

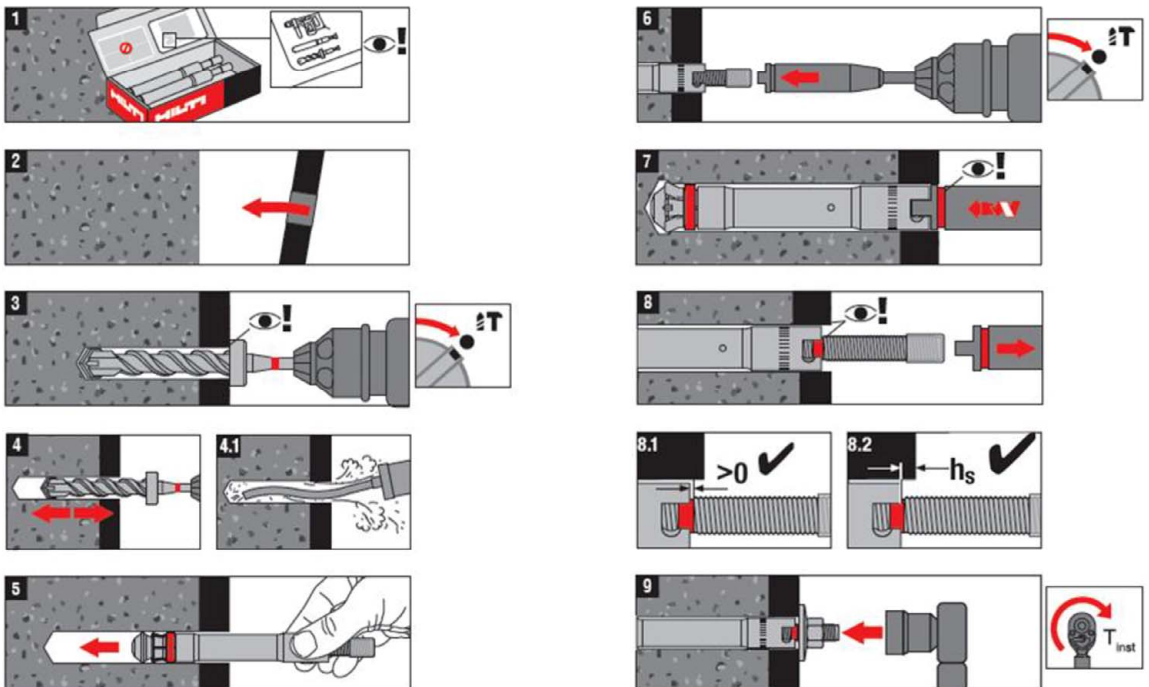
Minimum concrete thickness, minimum spacing and minimum edge distance

Annex B5

Installation instructions: HDA-P (pre-positioning)



Installation instructions: HDA-T (post-positioning)



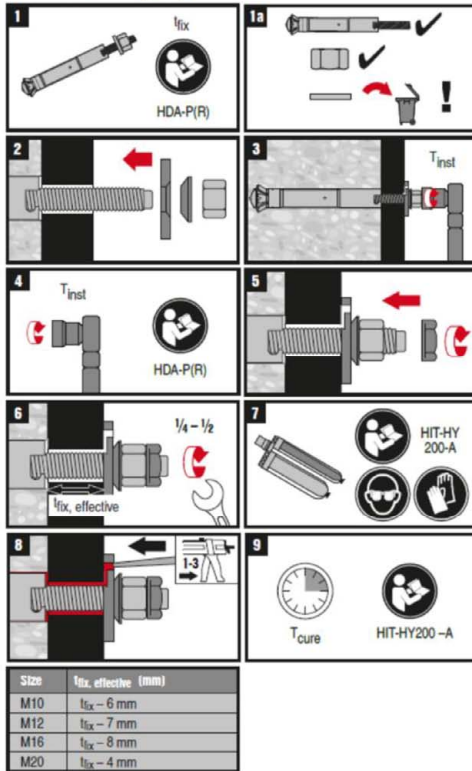
Hilti undercut anchor HDA

Intended use
Installation instructions

Annex B6

Installation instructions for the filling set

HDA-P(R)



HDA-T(R)

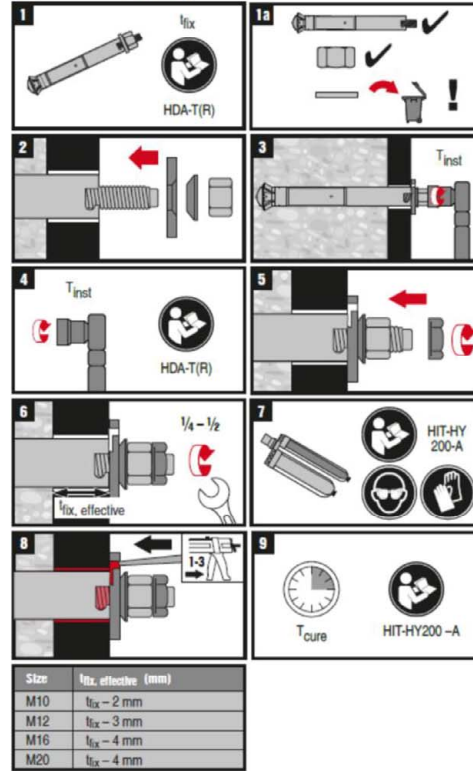


Table B7: Maximum working time and minimum curing time HY 200-A

Temperature in the base material T	Maximum working time t_{work}	Minimum curing time t_{cure}
> 0 °C to 5 °C	25 min	2 hours
> 5 °C to 10 °C	15 min	75 min
> 10 °C to 20 °C	7 min	45 min
> 20 °C to 30 °C	4 min	30 min
> 30 °C to 40 °C	3 min	30 min

Table B8: Maximum working time and minimum curing time HY 200-R

Temperature in the base material T	Maximum working time t_{work}	Minimum curing time t_{cure}
> 0 °C to 5 °C	1 hour	4 hours
> 5 °C to 10 °C	40 min	2,5 hours
> 10 °C to 20 °C	15 min	1,5 hours
> 20 °C to 30 °C	9 min	1 hour
> 30 °C to 40 °C	6 min	1 hour

Hilti undercut anchor HDA

Intended use
Installation instructions of the filling set

Annex B7

Table C1: Essential characteristics under tension fatigue load in concrete (design method I acc. to TR 061)

HDA-P / HDA-T		M10	M12	M16	M20
Steel failure					
Characteristic resistance [kN]		$\Delta N_{Rk,s,0,n}$			
Number of cycles n	$\leq 10^5$	15,4	20,3	48,3	64,9
	$\leq 3 \cdot 10^5$	12,3	17,9	34,8	49,5
	$\leq 10^6$	10,4	16,8	26,5	38,0
	∞	9,2	16,3	22,7	26,7
Partial factor $\gamma_{Ms,N,fat}$	[-]	acc. to TR 061, Eq. (3)			
Concrete failure					
Effective embedment depth h_{ef}	[mm]	100	125	190	250
Reduction factor ¹⁾ [-]		$\eta_{k,c,N,fat,n}$			
Number of cycles n	$\leq 10^5$	0,64			
	$\leq 3 \cdot 10^5$	0,64			
	$\leq 10^6$	0,64			
	∞	0,64			
Partial factor $\gamma_{Mc,fat}$	[-]	1,5			
Load transfer factor for fastener groups ψ_{FN}	[-]	0,77			

¹⁾ $\Delta N_{Rk,(c,sp,cb),0,n} = \eta_{k,c,N,fat,n} \cdot N_{Rk,(c,sp,cb)}$ with $N_{Rk,(c,sp,cb)}$ according to ETA-99/0009.

Hilti undercut anchor HDA

Performances
Essential characteristics under tension fatigue load in concrete
(design method I acc. to TR 061)

Annex C1

Table C2: Essential characteristics under shear fatigue load in concrete (design method I acc. to TR 061)

HDA-P		M10	M12	M16	M20	
Steel failure						
Characteristic resistance		[kN]				$\Delta V_{Rk,s,0,n}$
Number of cycles	n	$\leq 10^5$	5,0	8,8	14,9	29,1
		$\leq 3 \cdot 10^5$	3,3	6,7	11,2	22,4
		$\leq 10^6$	2,6	6,1	9,6	18,9
		∞	2,5	6,0	9,0	17,5
Partial factor	$\gamma_{Ms,V,fat}$	[-]				acc. to TR 061, Eq. (3)
Concrete failure						
Effective length of fastener	l_f	[mm]	70	88	90	120
Effective outside diameter of fastener	d_{nom}	[mm]	19	21	29	35
Reduction factor ¹⁾		[-]				$\eta_{k,c,V,fat,n}$
Number of cycles	n	$\leq 10^5$	0,55			
		$\leq 3 \cdot 10^5$	0,55			
		$\leq 10^6$	0,55			
		∞	0,55			
Partial factor	$\gamma_{Mc,fat}$	[-]				1,5
Load transfer factor for fastener groups	ψ_{FV}	[-]				0,83

¹⁾ $\Delta V_{Rk,(c,cp),0,n} = \eta_{k,c,V,fat,n} \cdot V_{Rk,(c,cp)}$ with $V_{Rk,(c,cp)}$ according to ETA-99/0009.

Hilti undercut anchor HDA

Performances

Essential characteristics under shear fatigue load in concrete (design method I acc. to TR 061)

Annex C2

Table C3: Essential characteristics under shear fatigue load in concrete (design method I acc. to TR 061)

HDA-T		M10	M12	M16	M20	
Steel failure						
Characteristic resistance		$\Delta V_{Rk,s,0,n}$ [kN]				
Number of cycles	n	$\leq 10^5$	15,9	21,8	34,2	29,1
		$\leq 3 \cdot 10^5$	12,6	18,5	27,7	22,4
		$\leq 10^6$	10,3	16,5	24,4	18,9
		∞	8,5	15,0	23,0	17,5
Partial factor	$\gamma_{Ms,V,fat}$	[-] acc. to TR 061, Eq. (3)				
Concrete failure						
Effective length of fastener	l_f	[mm]	70	88	90	120
Effective outside diameter of fastener	d_{nom}	[mm]	19	21	29	35
Reduction factor ¹⁾		[-] $\eta_{k,c,V,fat,n}$				
Number of cycles	n	$\leq 10^5$	0,55			
		$\leq 3 \cdot 10^5$	0,55			
		$\leq 10^6$	0,55			
		∞	0,55			
Partial factor	$\gamma_{Mc,fat}$	[-] 1,5				
Load transfer factor for fastener groups	ψ_{FV}	[-] 0,83				

¹⁾ $\Delta V_{Rk,(c,cp),0,n} = \eta_{k,c,V,fat,n} \cdot V_{Rk,(c,cp)}$ with $V_{Rk,(c,cp)}$ according to ETA-99/0009.

Hilti undercut anchor HDA

Performances

Essential characteristics under shear fatigue load in concrete (design method I acc. to TR 061)

Annex C3

Table C4: Essential characteristics under tension fatigue load in concrete (design method II acc. to TR 061)

HDA-P / HDA-T		M10	M12	M16	M20
Steel failure					
Characteristic resistance	$\Delta N_{Rk,s,0,\infty}$ [kN]	9,2	16,3	22,7	26,7
Partial factor	$\gamma_{Ms,N,fat}$ [-]	1,35			
Concrete failure					
Effective embedment depth	h_{ef} [mm]	100	125	190	250
Reduction factor ¹⁾	$\eta_{k,c,N,fat,\infty}$ [-]	0,64			
Partial factor	$\gamma_{Mc,fat}$ [-]	1,5			
Load transfer factor for fastener groups	ψ_{FN} [-]	0,77			

¹⁾ $\Delta N_{Rk,(c,sp,cb),0,\infty} = \eta_{k,c,N,fat,\infty} \cdot N_{Rk,(c,sp,cb)}$ with $N_{Rk,(c,sp,cb)}$ according to ETA-99/0009.

Table C5: Essential characteristics under shear fatigue load in concrete (design method II acc. to TR 061)

HDA-P		M10	M12	M16	M20
Steel failure					
Characteristic resistance	$\Delta V_{Rk,s,0,\infty}$ [kN]	2,5	6,0	9,0	17,5
Partial factor	$\gamma_{Ms,V,fat}$ [-]	1,35			
Concrete failure					
Effective length of fastener	l_f [m]	70	88	90	120
Effective outside diameter of fastener	d_{nom} [m]	19	21	29	35
Reduction factor ¹⁾	$\eta_{k,c,V,fat,\infty}$ [-]	0,55			
Partial factor	$\gamma_{Mc,fat}$ [-]	1,5			
Load transfer factor for fastener groups	ψ_{FV} [-]	0,83			

¹⁾ $\Delta V_{Rk,(c,cp),0,\infty} = \eta_{k,c,V,fat,\infty} \cdot V_{Rk,(c,cp)}$ with $V_{Rk,(c,cp)}$ according to ETA-99/0009.

Hilti undercut anchor HDA

Performances

Essential characteristics under tension and shear fatigue load in concrete (design method II acc. to TR 061)

Annex C4

Table C6: Essential characteristics under shear fatigue load in concrete (design method II acc. to TR 061)

HDA-T		M10	M12	M16	M20
Steel failure					
Characteristic resistance	$\Delta V_{Rk,s,0,\infty}$ [kN]	8,5	15,0	23,0	17,5
Partial factor	$\gamma_{Ms,V,fat}$ [-]	1,35			
Concrete failure					
Effective length of fastener	l_f [m]	70	88	90	120
Effective outside diameter of fastener	d_{nom} [m]	19	21	29	35
Reduction factor ¹⁾	$\eta_{k,c,V,fat,\infty}$ [-]	0,55			
Partial factor	$\gamma_{Mc,fat}$ [-]	1,5			
Load transfer factor for fastener groups	ψ_{FV} [-]	0,83			

¹⁾ $\Delta V_{Rk,(c,cp),0,\infty} = \eta_{k,c,V,fat,\infty} \cdot V_{Rk,(c,cp)}$ with $V_{Rk,(c,cp)}$ according to ETA-99/0009.

Table C7: Essential characteristics for combined fatigue load in concrete (design method I and II acc. to TR 061)

HDA-P / HDA-T		M10	M12	M16	M20
Exponent for combined fatigue load	α_{sn} [-]	1,0			1,25
	α_c [-]	1,5			

Hilti undercut anchor HDA

Performances

Essential characteristics under shear and combined fatigue load in concrete (design method I and II acc. to TR 061)

Annex C5

Zulassungsstelle für Bauprodukte und Bauarten

Bautechnisches Prüfamts

Eine vom Bund und den Ländern
gemeinsam getragene Anstalt des öffentlichen Rechts



Europäische Technische Bewertung

ETA-18/0974
vom 30. November 2020

Allgemeiner Teil

Technische Bewertungsstelle, die die Europäische Technische Bewertung ausstellt

Handelsname des Bauprodukts

Produktfamilie,
zu der das Bauprodukt gehört

Hersteller

Herstellungsbetrieb

Diese Europäische Technische Bewertung enthält

Diese Europäische Technische Bewertung wird ausgestellt gemäß der Verordnung (EU) Nr. 305/2011, auf der Grundlage von

Diese Fassung ersetzt

Deutsches Institut für Bautechnik

Hilti Hinterschnittdübel HDA

Nachträglich eingebaute Befestigungsmittel in Beton unter ermüdungsrelevanter zyklischer Beanspruchung

Hilti Aktiengesellschaft
Feldkircherstrasse 100
9494 SCHAAN
FÜRSTENTUM LIECHTENSTEIN

Hilti Plants

22 Seiten, davon 3 Anhänge, die fester Bestandteil dieser Bewertung sind.

EAD 330250-00-0601, Edition 06/2020

ETA-18/0974 vom 20. Juni 2019

Die Europäische Technische Bewertung wird von der Technischen Bewertungsstelle in ihrer Amtssprache ausgestellt. Übersetzungen dieser Europäischen Technischen Bewertung in andere Sprachen müssen dem Original vollständig entsprechen und müssen als solche gekennzeichnet sein.

Diese Europäische Technische Bewertung darf, auch bei elektronischer Übermittlung, nur vollständig und ungekürzt wiedergegeben werden. Nur mit schriftlicher Zustimmung der ausstellenden Technischen Bewertungsstelle kann eine teilweise Wiedergabe erfolgen. Jede teilweise Wiedergabe ist als solche zu kennzeichnen.

Die ausstellende Technische Bewertungsstelle kann diese Europäische Technische Bewertung widerrufen, insbesondere nach Unterrichtung durch die Kommission gemäß Artikel 25 Absatz 3 der Verordnung (EU) Nr. 305/2011.

Besonderer Teil

1 Technische Beschreibung des Produkts

Der Hilti Hinterschnittdübel HDA besteht aus einem Hilti Konusbolzen HDA-P oder HDA-T, mit einem Ring, Hülse, Bolzen und Kappe, einer Hilti Verschlusscheibe, einer Kugelscheibe, Sechskantmutter und einer Sicherungsmutter und einem Injektionsmörtel Hilti HIT-HY 200-A oder Hilti HIT-HY 200-R.

Die Produktbeschreibung ist in Anhang A angegeben.

2 Spezifizierung des Verwendungszwecks gemäß dem anwendbaren Europäischen Bewertungsdokument

Von den Leistungen in Abschnitt 3 kann nur ausgegangen werden, wenn der Dübel entsprechend den Angaben und unter den Randbedingungen nach Anhang B verwendet wird.

Die Prüf- und Bewertungsmethoden, die dieser Europäischen Technischen Bewertung zu Grunde liegen, führen zur Annahme einer Nutzungsdauer des Dübels von mindestens 50 Jahren. Die Angaben zur Nutzungsdauer können nicht als Garantie des Herstellers ausgelegt werden, sondern sind lediglich ein Hilfsmittel zur Auswahl der richtigen Produkte im Hinblick auf die erwartete wirtschaftlich angemessene Nutzungsdauer des Bauwerks.

3 Leistung des Produkts und Angabe der Methoden ihrer Bewertung

3.1 Mechanische Festigkeit und Standsicherheit (BWR 1)

Wesentliches Merkmal	Leistung
Charakteristischer Ermüdungswiderstand unter zyklischer Zugbeanspruchung (Bewertungsmethode A)	
Charakteristischer Stahlermüdungswiderstand	Siehe Anhänge C1 und C4
Charakteristischer Ermüdungswiderstand für Betonversagen, Herausziehen, Spalten und lokaler Betonausbruch	
Charakteristischer Ermüdungswiderstand für kombiniertes Herausziehen-/Betonversagen	
Charakteristischer Ermüdungswiderstand unter zyklischer Querbeanspruchung (Bewertungsmethode A)	
Charakteristischer Stahlermüdungswiderstand	Siehe Anhänge C2 bis C5
Charakteristischer Ermüdungswiderstand für Betonkantenbruch	
Charakteristischer Ermüdungswiderstand für Betonausbruch	

Wesentliches Merkmal	Leistung
Charakteristischer Ermüdungswiderstand unter kombinierter zyklischer Zug- und Querbeanspruchung (Bewertungsmethode A)	
Charakteristischer Stahlermüdungswiderstand	Siehe Anhang C5
Lastumlagerungsfaktor für zyklische Zug- und Querbeanspruchung (Bewertungsmethode A)	
Lastumlagerungsfaktor	Siehe Anhänge C1 bis C5

4 Angewandtes System zur Bewertung und Überprüfung der Leistungsbeständigkeit mit der Angabe der Rechtsgrundlage

Gemäß dem Europäischen Bewertungsdokument EAD Nr. 330250-00-0601 gilt folgende Rechtsgrundlage: [96/582/EG].

Folgendes System ist anzuwenden: 1

5 Für die Durchführung des Systems zur Bewertung und Überprüfung der Leistungsbeständigkeit erforderliche technische Einzelheiten gemäß anwendbarem Europäischen Bewertungsdokument

Technische Einzelheiten, die für die Durchführung des Systems zur Bewertung und Überprüfung der Leistungsbeständigkeit notwendig sind, sind Bestandteil des Kontrollplans, der beim Deutschen Institut für Bautechnik hinterlegt ist.

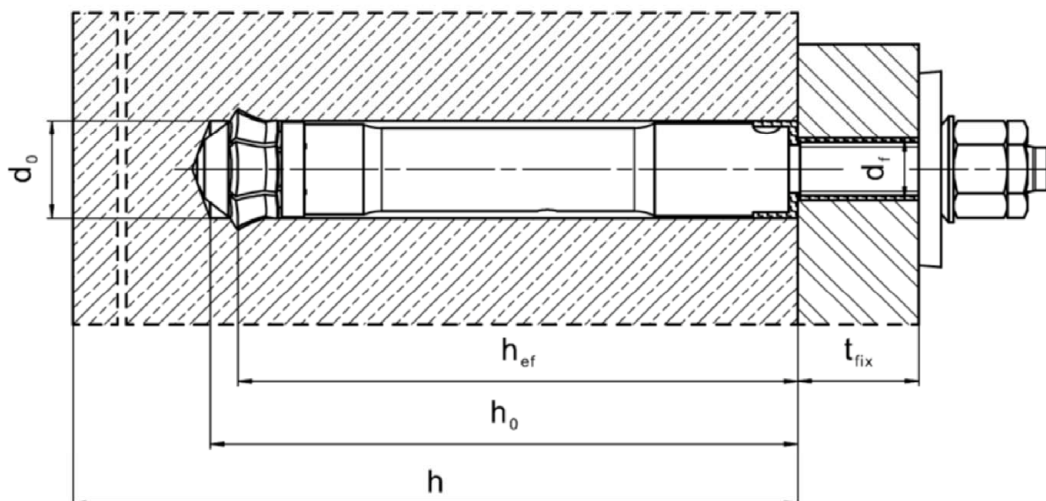
Ausgestellt in Berlin am 30. November 2020 vom Deutschen Institut für Bautechnik

Dipl.-Ing. Beatrix Wittstock
Referatsleiterin

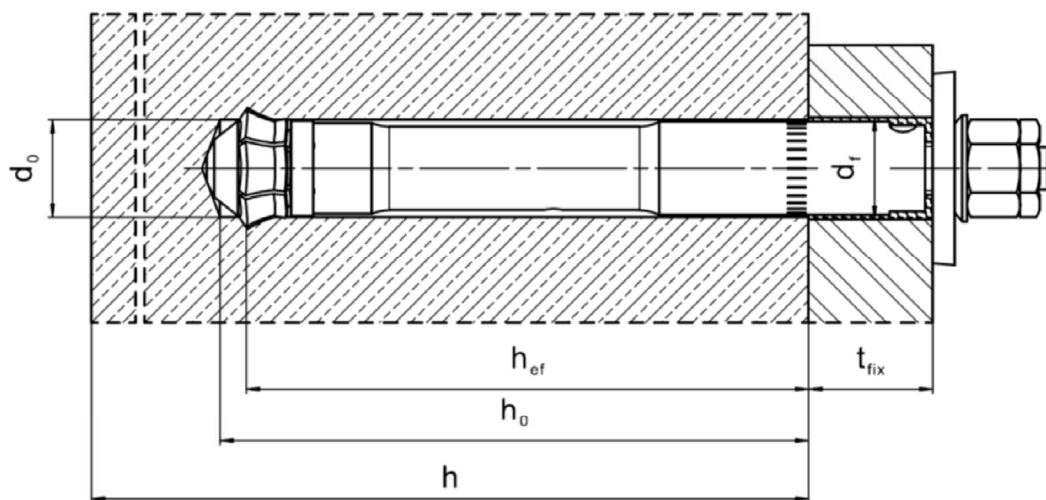
Beglaubigt
Baderschneider

Produkt und Einbauzustand

Hilti HDA-P installiert mit Hilti Verfüllset (Vorsteckmontage)



Hilti HDA-T installiert mit Hilti Verfüllset (Durchsteckmontage)



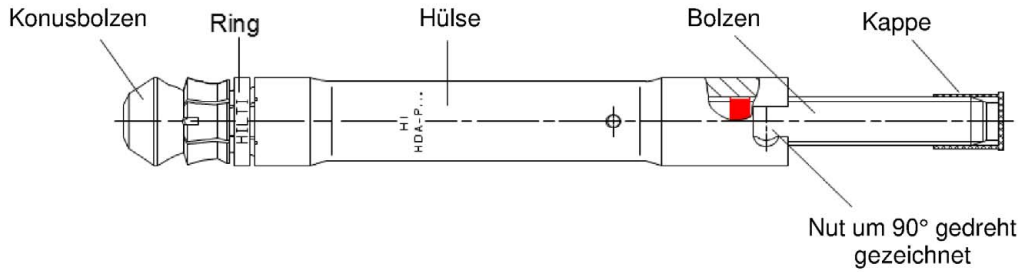
Hilti Hinterschnittdübel HDA

Produktbeschreibung
Einbauzustand

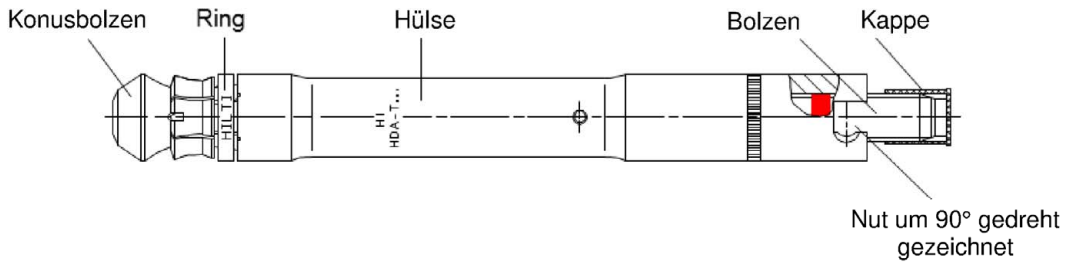
Anhang A1

Produktbeschreibung

Hilti Hinterschnittdübel HDA-P



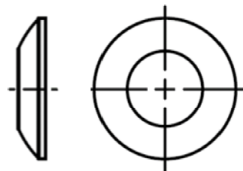
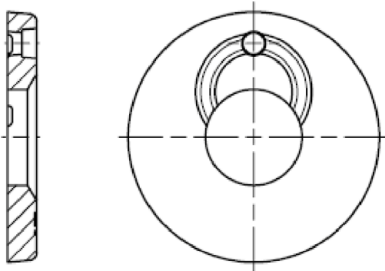
Hilti Hinterschnittdübel HDA-T



Hilti Verfüllset

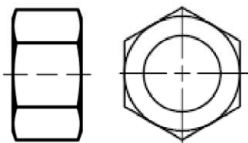
Verschlusssscheibe

Kugelscheibe



Sechskantmutter

Sicherungsmutter



Hilti Hinterschnittdübel HDA

Produktbeschreibung
Produkteile

Anhang A2

Injektionsmörtel Hilti HIT-HY 200-A und Hilti HIT-HY 200-R: Hybridsystem mit Zuschlag
Folieneinde 330 ml und 500 ml

Kennzeichnung:
HILTI HIT
Chargennummer und
Produktionslinie
Verfallsdatum mm/yyyy



Produktname: "Hilti HIT-HY 200-A"



Produktname: "Hilti HIT-HY 200-R"

Statikmischer Hilti HIT-RE-M



Hilti Hinterschnittdübel HDA

Produktbeschreibung
Produktteile

Anhang A3

Werkstoffe und Markierung

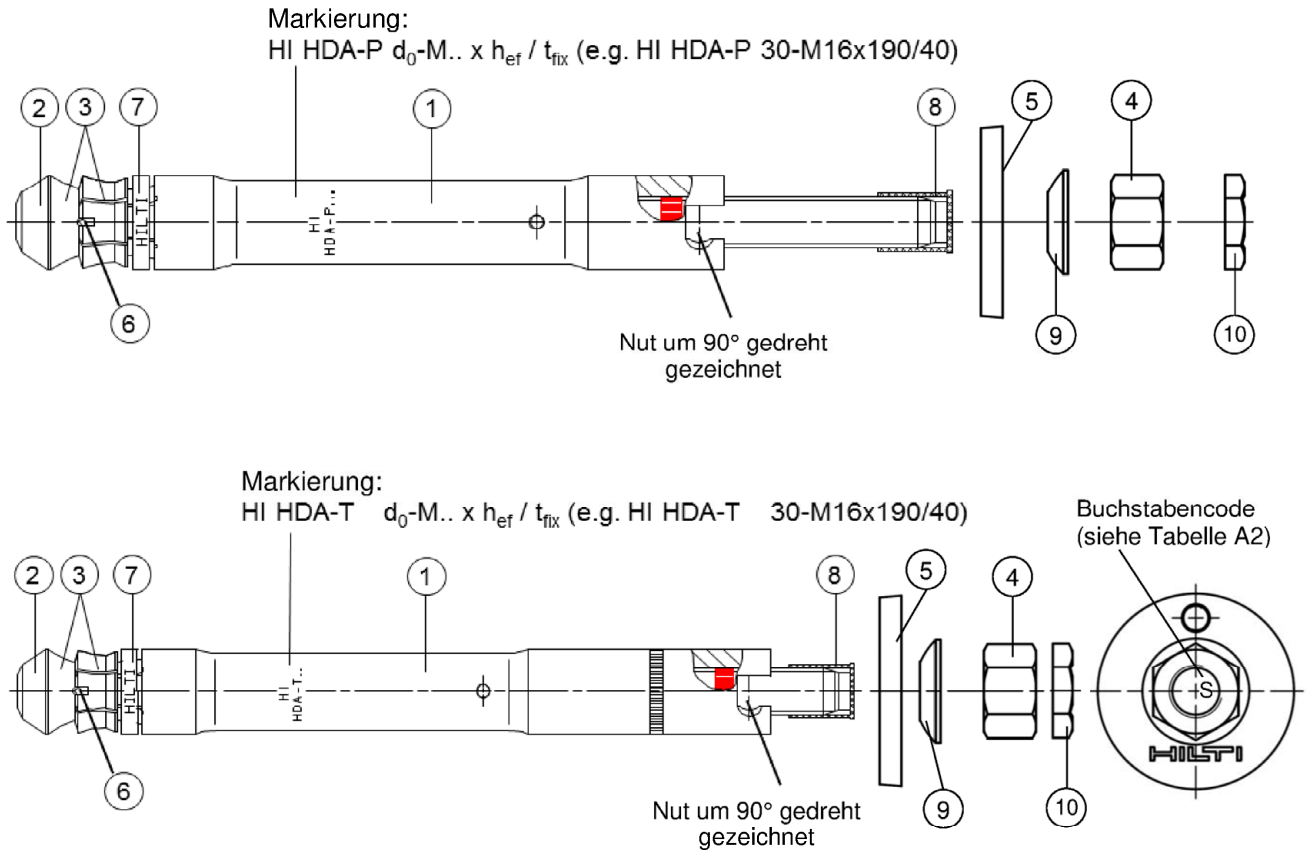


Tabelle A1: Werkstoffe für HDA-P / HDA-T und Hilti Verfüllset

Teil	Benennung	HDA-P / HDA-T (galvanisch verzinkt $\geq 5\mu\text{m}$)
1	Hülse	bearbeiteter Stahl mit Wolframkarbid-Schneiden
2	Konusbolzen	M10 - M16: kalt verformter Stahl, Festigkeitsklasse 8.8 M20: bearbeiteter Konus, Gewindestange Festigkeitsklasse 8.8
3	Konusbolzen- und Spreizhülsenbeschichtung	galvanisch verzinkt 5-25 μm
4	Sechskantmutter	M10 - M16: Klasse 8, $h=1*d$, galvanisch verzinkt M20: Klasse 8, galvanisch verzinkt
5	Verschlusscheibe	galvanisch verzinkt $\geq 5\mu\text{m}$
6	Schneiden	Wolframkarbid
7	Ring	Kunststoffring
8	Kappe	Kunststoffkappe
9	Kugelscheibe	galvanisch verzinkt $\geq 5\mu\text{m}$
10	Sicherungsmutter	galvanisch verzinkt $\geq 5\mu\text{m}$

Hilti Hinterschnittdübel HDA

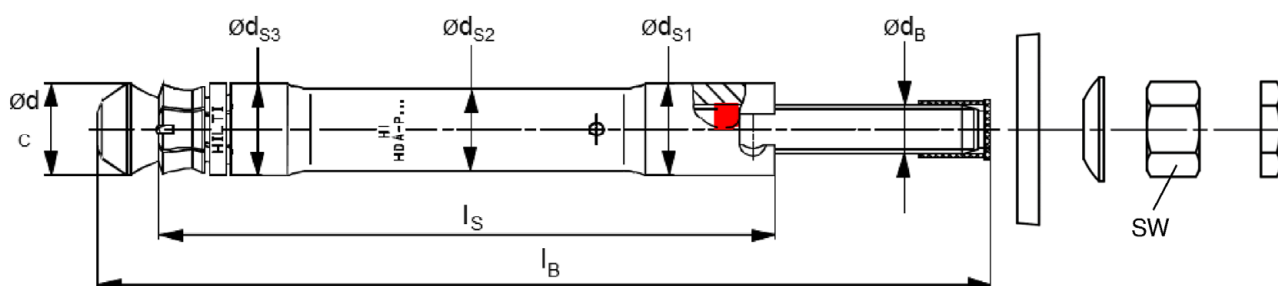
Produktbeschreibung
Werkstoffe und Markierung

Anhang A4

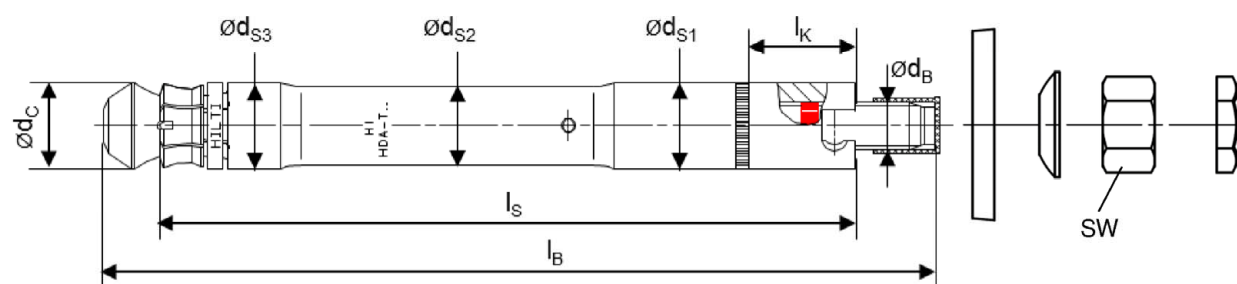
Tabelle A2: Abmessungen

Dübelzeichnung	$t_{fix,max}$ [mm]	l_B [mm]	Buchsta- bencode	l_S [mm]	l_K [mm]	SW	d_{S1} [mm]	d_{S2} [mm]	d_{S3} [mm]	d_C [mm]	d_B [mm]
HDA-P M10x100/20	20	150	I	100	-	17	19	16,8	18,5	19,5	10
HDA-T M10x100/20	20	150	I	120	17	17	19	16,8	18,5	19,5	10
HDA-P M12x125/30	30	190	L	125	-	19	21	18,8	20,5	21,4	12
HDA-P M12x125/50	50	210	N	125	-	19	21	18,8	20,5	21,4	12
HDA-T M12x125/30	30	190	L	155	27	19	21	18,8	20,5	21,4	12
HDA-T M12x125/50	50	210	N	175	47	19	21	18,8	20,5	21,4	12
HDA-P M16x190/40	40	275	R	190	-	24	29	26	29	29	16
HDA-P M16x190/60	60	295	S	190	-	24	29	26	29	29	16
HDA-T M16x190/40	40	275	R	230	35,5	24	29	26	29	29	16
HDA-T M16x190/60	60	295	S	250	55,5	24	29	26	29	29	16
HDA-P M20x250/50	50	360	V	250	-	30	35	32	35	36	20
HDA-P M20x250/100	100	410	X	250	-	30	35	32	35	36	20
HDA-T M20x250/50	50	360	V	300	45	30	35	32	35	36	20
HDA-T M20x250/100	100	410	X	350	95	30	35	32	35	36	20

Vorsteckdübel HDA-P (Vorsteckmontage)



Durchsteckdübel HDA-T (Durchsteckmontage)



Hilti Hinterschnittdübel HDA

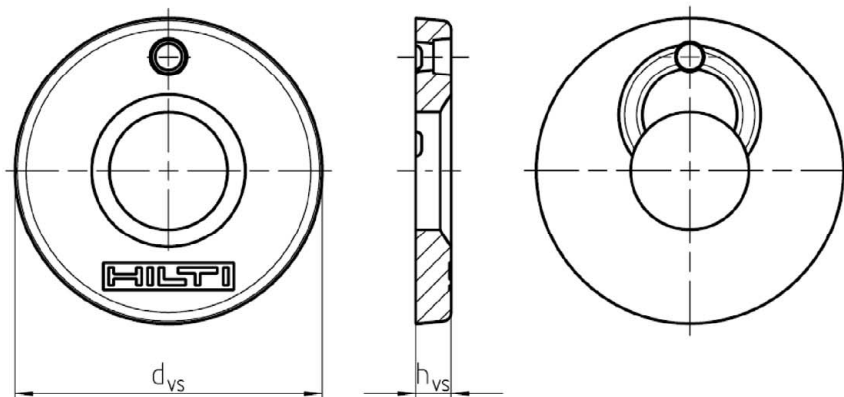
Produktbeschreibung
Abmessungen

Anhang A5

Tabelle A3: Abmessungen der Hilti Verschlusscheibe

Dübelgröße	Hilti Verfüllset Größe	Hilti Verschlusscheibe	
		Durchmesser d_{vs} [mm]	Dicke h_{vs} [mm]
HDA-P M10	M10	42	5
HDA-T M10			
HDA-P M12	M12	44	5
HDA-T M12			
HDA-P M16	M16	52	6
HDA-T M16			
HDA-P M20	M20	60	6
HDA-T M20			

Hilti Verschlusscheibe



Hilti Hinterschnittdübel HDA

Produktbeschreibung
Abmessungen der Hilti Verschlusscheibe

Anhang A6

Angaben zum Verwendungszweck

Befestigung unter:

- Ermüdungsbeanspruchung.
- Anmerkung: Statische und quasistatische Beanspruchung nach ETA-99/0009.

Verankerungsgrund:

- Verdichteter bewehrter oder unbewehrter Normalbeton ohne Fasern nach EN 206:2013 + A1:2016.
- Festigkeitsklasse C20/25 bis C50/60 nach EN 206:2013 + A1:2016.
- Gerissener und ungerissener Beton.

Anwendungsbedingungen (Umweltbedingungen):

- In Bauteilen unter den Bedingungen trockener Innenräume.

Bemessung:

- Die Befestigungen müssen unter der Verantwortung eines auf dem Gebiet der Verankerungen und des Betonbaus erfahrenen Ingenieurs bemessen werden.
- Unter Berücksichtigung der zu verankernden Lasten sind prüfbare Berechnungen und Konstruktionszeichnungen anzufertigen. Auf den Konstruktionszeichnungen ist die Lage des Dübels (z. B. Lage des Dübels zur Bewehrung oder zu den Auflagern usw.) anzugeben.
- Die Bemessung der Verankerungen erfolgt in Übereinstimmung mit: EN 1992-4:2018 und EOTA Technical Report TR 061:2020-08.

Installation:

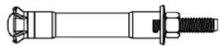
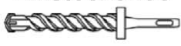

- Der Einbau erfolgt durch entsprechend geschultes Personal unter der Aufsicht des Bauleiters.
- Der Einbau erfolgt nach den Angaben der Bedienungsanleitung unter Verwendung der angegebenen Werkzeuge (Bohrhammer, Setzwerkzeug, Bundbohrer und Verfüllset).
- Das Bohrloch wird mit dem spezifizierten Bundbohrer im Hammerbohrverfahren erstellt.
- Der Dübel wird von Hand in das gereinigte Bohrloch gesteckt.
- Mit Hilfe des spezifizierten Setzwerkzeuges und Bohrhammers wird der Dübel im Bohrloch verspreizt bis die Markierung des Setzwerkzeuges bündig mit der Oberkante des Betons (HDA-P) bzw. Oberkante des Anbauteils (HDA-T) ist.
- Der Dübel ist vollständig verspreizt, wenn der Farbring des Ankerbolzens über die Oberkante der Hülse herausragt. Ist der Farbring noch nicht sichtbar, ist der Setzvorgang fortzusetzen.
- Nach der vollständigen Verspreizung des Dübels muss der Unterstand der Hülse im Vergleich zur Betonoberfläche (HDA-P) bzw. Oberkante des Anbauteils (HDA-T) im spezifizierten Bereich nach Tabelle B3 Anhang B4 liegen.
- Das in Tabelle B3, Anhang B4 angegebene Anzugsdrehmoment wird mit einem kalibrierten Drehmomentschlüssel aufgebracht.

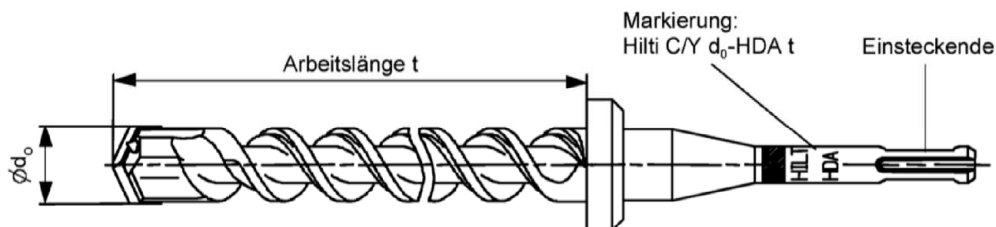
Hilti Hinterschnittdübel HDA

Verwendungszweck
Spezifikationen

Anhang B1

Tabelle B1: Bundbohrer für HDA

Dübel 	Bundbohrer mit		Nominale Arbeitslänge t [mm]	Durch- messer d ₀ [mm]
	TE-C Einsteckende 	TE-Y Einsteckende 		
HDA-P M10x100/20	TE-C-HDA-B 20x100	TE-Y-HDA-B 20x100	107	20
HDA-T M10x100/20	TE-C-HDA-B 20x120	TE-Y-HDA-B 20x120	127	20
HDA-P M12x125/30 HDA-P M12x125/50	TE-C HDA-B 22x125	TE-Y HDA-B 22x125	133	22
HDA-T M12x125/30	TE-C HDA-B 22x155	TE-Y HDA-B 22x155	163	22
HDA-T M12x125/50	TE-C HDA-B 22x175	TE-Y HDA-B 22x175	183	22
HDA-P M16x190/40 HDA-P M16x190/60	-	TE-Y HDA-B 30x190	203	30
HDA-T M16x190/40	-	TE-Y HDA-B 30x230	243	30
HDA-T M16x190/60	-	TE-Y HDA-B 30x250	263	30
HDA-P M20x250/50 HDA-P M20x250/100	-	TE-Y HDA-B 37x250	266	37
HDA-T M20x250/50	-	TE-Y HDA-B 37x300	316	37
HDA-T M20x250/100	-	TE-Y HDA-B 37x350	366	37

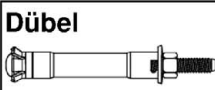

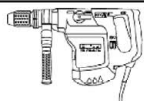


Hilti Hinterschnittdübel HDA

Verwendungszweck
Bundbohrer

Anhang B2

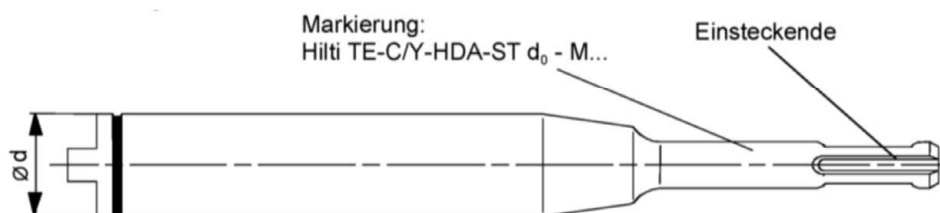
Tabelle B2: Setzwerkzeuge und Bohrhämmer für HDA

 Dübel	 Setzwerkzeug			 Bohrhammer													
				Ød [mm]	Einsteckende	TE 24	TE 25 ¹⁾	TE 30-A36	TE 40 (AVR)	TE 56 ²⁾	TE 56-ATC ²⁾	TE 60	TE 60-ATC	TE 70 ^{2) 3)}	TE 70-ATC ^{2) 3)}	TE 75 ²⁾	TE 76 ²⁾
HDA-P/T M10x100/20	TE-C-HDA-ST 20-M10	20	TE-C	■	■	■	■										
	TE-Y-HDA-ST 20-M10	20	TE-Y					■	■								
HDA-P/T M12x125/30 HDA-P/T M12x125/50	TE-C-HDA-ST 22-M12	22	TE-C	■	■	■	■										
	TE-Y-HDA-ST 22-M12	22	TE-Y					■	■								
HDA-P/T M16x190/40 HDA-P/T M16x190/60	TE-Y-HDA-ST 30-M16	30	TE-Y								■	■	■	■			
HDA-P/T M20x250/50 HDA-P/T M20x250/100	TE-Y-HDA-ST 37-M20	37	TE-Y								■			■		■	

¹⁾ TE25: Verwendung im 1. Gang.

²⁾ TE56 (-ATC), TE70 (-ATC), TE75, TE76 (-ATC): Verwendung mit maximaler Schlagenergie.

³⁾ TE70: nur mit Bauteildicke $h_{\min} \geq 300$ mm.



Hilti Hinterschnittdübel HDA

Verwendungszweck
Setzwerkzeuge und Bohrhämmer

Anhang B3

Tabelle B3: Installationsparameter

Dübeltyp Vorsteck- / Durchsteckmontage	HDA M10		HDA M12		HDA M16		HDA M20	
	P	T	P	T	P	T	P	T
Bohrerennendurchmesser d_0 [mm]	20		22		30		37	
Bohrerschneidendurchmesser $d_{cut \leq}$ [mm]	20,55		22,55		30,55		37,70	
Bohrlochtiefe h_1 [mm]	107	≥ 107	133	≥ 133	203	≥ 203	266	≥ 266
Durchgangsloch im Anbauteil d_f [mm]	12	21	14	23	18	32	22	40
Minimale Dicke des Anbauteils $t_{fix,min}$ [mm]	10	15	10	20	10	20	10	20
Maximale Dicke des Anbauteils $t_{fix,max}$ [mm]	siehe Tabelle A2, Anhang A5							
Hülsenversenkung ¹⁾ h_s [mm]	$2 \leq h_s \leq 6$		$2 \leq h_s \leq 7$		$2 \leq h_s \leq 8$		$2 \leq h_s \leq 8$	
Drehmoment beim Verankern T_{inst} [Nm]	50		80		120		300	

¹⁾ Hülsenversenkung h_s nach Setzen des Dübels (Einbauzustand):

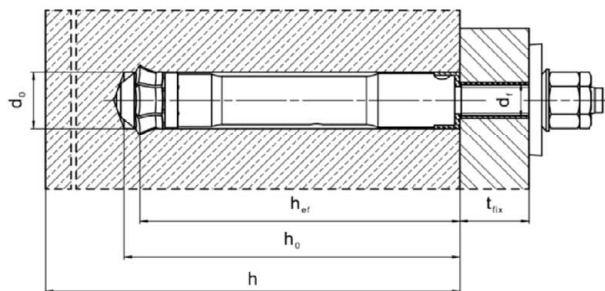
a) Vorsteckdübel HDA-P:

Abstand Betonoberfläche bis Oberkante Spreizhülse, siehe Anhang A1.

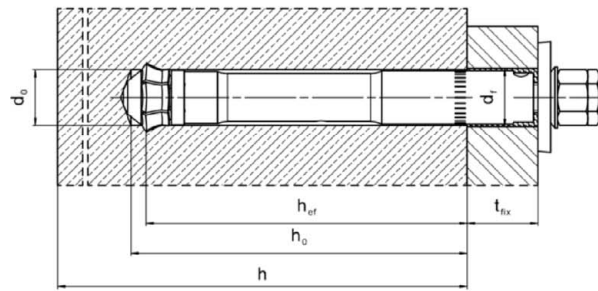
b) Durchsteckdübel HDA-T:

Abstand Oberfläche des Anbauteils bis Oberkante Spreizhülse, siehe Anhang A1.

**Vorsteckdübel
HDA-P (Vorsteckmontage)**



**Durchsteckdübel
HDA-T (Durchsteckmontage)**



Hilti Hinterschnittdübel HDA

Verwendungszweck
Installationsparameter

Anhang B4

Tabelle B4: Mindestbauteildicke, HDA-P

Dübeltyp	HDA-P M10	HDA-P M12	HDA-P M16	HDA-P M20
Minimale Bauteildicke h_{\min} [mm]	180	200	270	350

Tabelle B5: Mindestbauteildicke, HDA-T

Dübeltyp	HDA-T M10	HDA-T M12		HDA-T M16		HDA-T M20	
Maximale Anbauteildicke $t_{\text{fix,max}}^{1)}$ [mm]	20	30	50	40	60	50	100
Minimale Bauteildicke $h_{\min}^{2)}$ [mm]	$200-t_{\text{fix}}$	$230-t_{\text{fix}}$	$250-t_{\text{fix}}$	$310-t_{\text{fix}}$	$330-t_{\text{fix}}$	$400-t_{\text{fix}}$	$450-t_{\text{fix}}$

¹⁾ $t_{\text{fix,max}}$ maximale Anbauteildicke, siehe Tabelle B3, Anhang B4.

²⁾ h_{\min} ist abhängig von der vorhandenen Dicke des Anbauteils t_{fix} (Verwendung eines Bundbohrers).

z.B. HDA-T 22-M12x125/50: $t_{\text{fix}} = 20\text{mm} \rightarrow h_{\min} = 250-20 = 230\text{mm}$
 $t_{\text{fix}} = 50\text{mm} \rightarrow h_{\min} = 250-50 = 200\text{mm}$

Tabelle B6: Minimale Achs- und Randabstände

HDA-P / HDA-T	M10	M12	M16	M20
Gerissener Beton				
Minimaler Achsabstand ¹⁾ s_{\min} [mm]	100	125	190	250
Minimaler Randabstand ²⁾ c_{\min} [mm]	80	100	150	200
Ungerissener Beton				
Minimaler Achsabstand ¹⁾ s_{\min} [mm]	100	125	190	250
Minimaler Randabstand ²⁾ c_{\min} [mm]	80	100	150	200

¹⁾ verhältnis $s_{\min} / h_{\text{ef}} = 1,0$

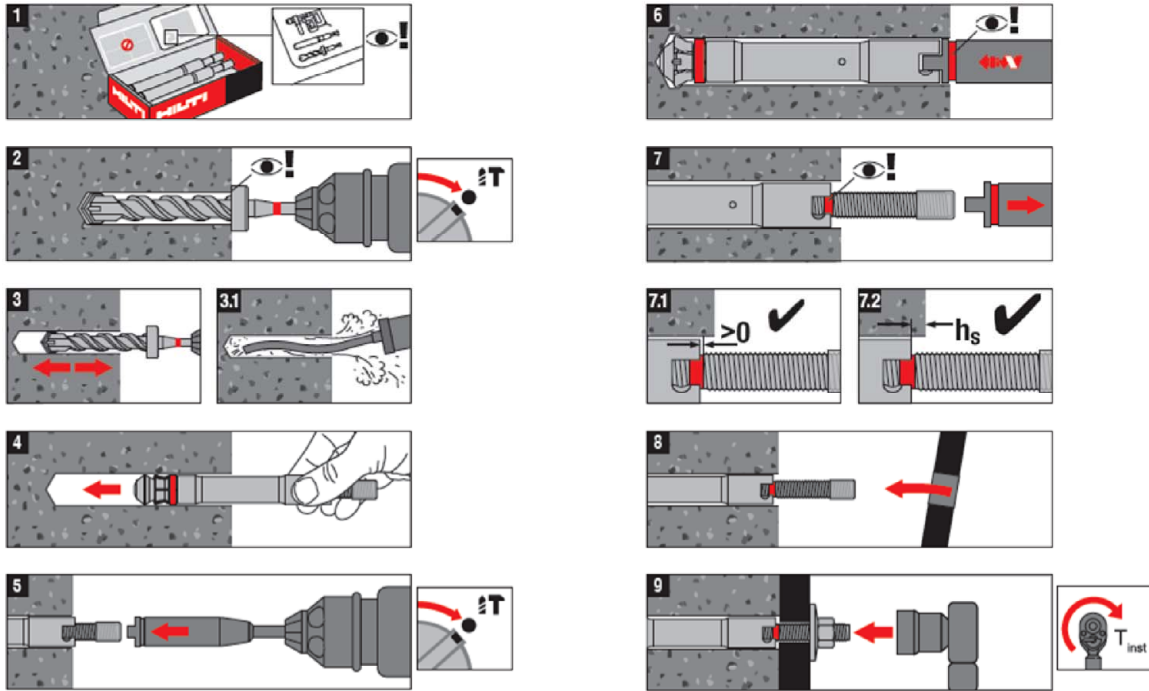
²⁾ verhältnis $c_{\min} / h_{\text{ef}} = 0,8$

Hilti Hinterschnittdübel HDA

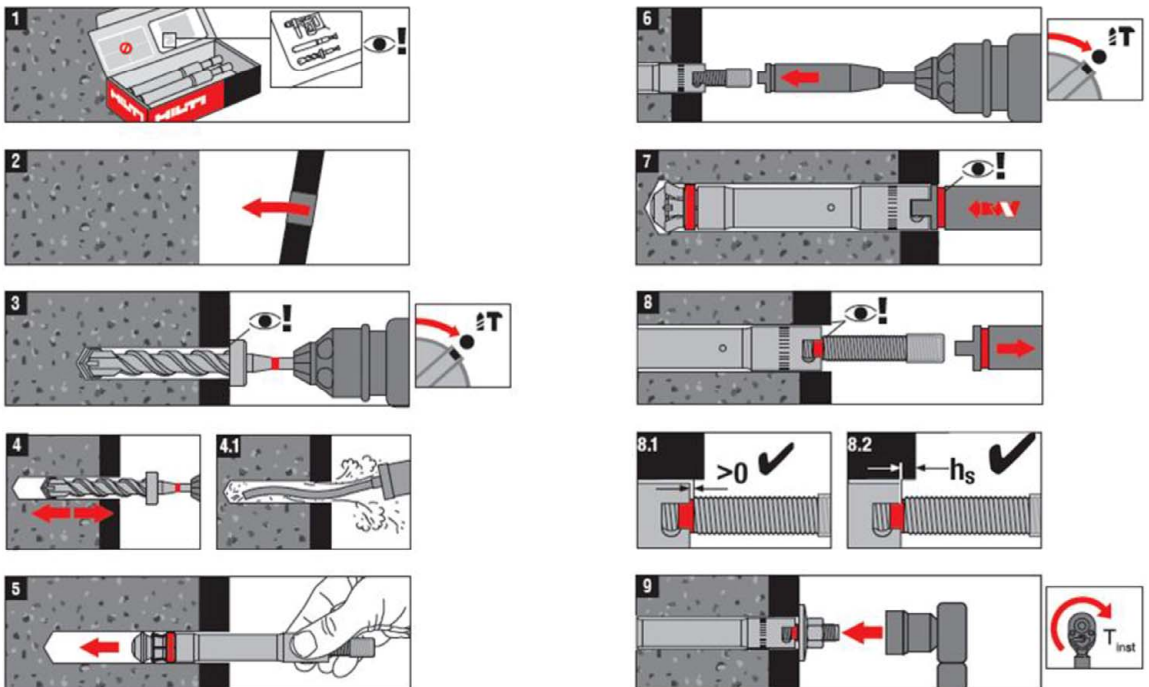
Verwendungszweck
Mindestbauteildicke und minimale Achs- und Randabstände

Anhang B5

Setzanweisung: HDA-P (Vorsteckmontage)



Setzanweisung: HDA-T (Durchsteckmontage)



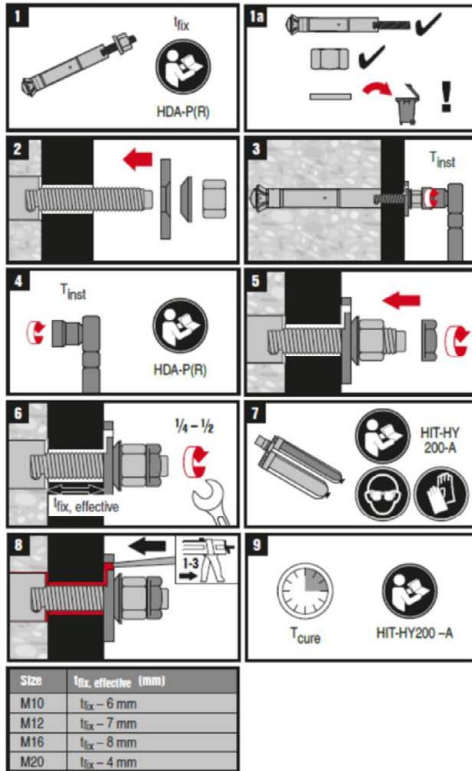
Hilti Hinterschnittdübel HDA

Verwendungszweck
Setzanweisung

Anhang B6

Montageanweisung mit Hilti Verfüllset

HDA-P(R)



HDA-T(R)

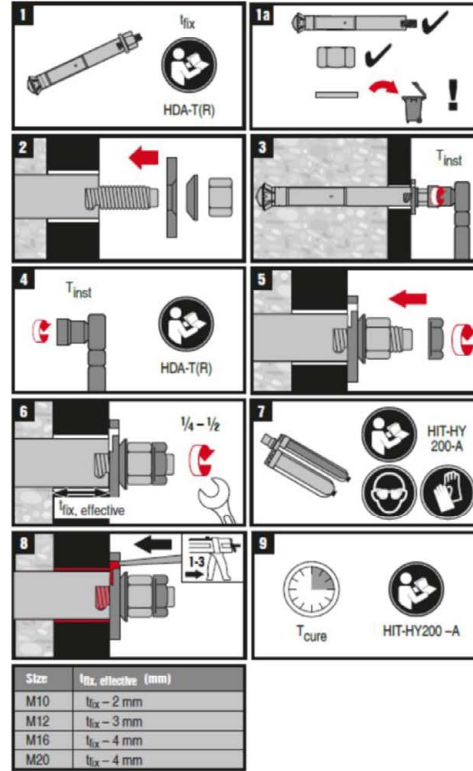


Tabelle B7: Maximale Verarbeitungszeit und minimale Aushärtezeit HY 200-A

Temperatur im Verankerungsgrund T	Maximale Verarbeitungszeit t_{work}	Minimale Aushärtezeit t_{cure}
> 0 °C bis 5 °C	25 min	2 h
> 5 °C bis 10 °C	15 min	75 min
> 10 °C bis 20 °C	7 min	45 min
> 20 °C bis 30 °C	4 min	30 min
> 30 °C bis 40 °C	3 min	30 min

Tabelle B8: Maximale Verarbeitungszeit und minimale Aushärtezeit HY 200-R

Temperatur im Verankerungsgrund T	Maximale Verarbeitungszeit t_{work}	Minimale Aushärtezeit t_{cure}
> 0 °C bis 5 °C	1 h	4 h
> 5 °C bis 10 °C	40 min	2,5 h
> 10 °C bis 20 °C	15 min	1,5 h
> 20 °C bis 30 °C	9 min	1 h
> 30 °C bis 40 °C	6 min	1 h

Hilti Hinterschnittdübel HDA

Verwendungszweck

Setzanweisung mit Hilti Verfüllset, maximale Verarbeitungszeit und minimale Aushärtezeit

Anhang B7

Tabelle C1: Wesentliche Merkmale unter Zug-Ermüdungsbeanspruchung in Beton (Bemessungsverfahren I nach TR 061)

HDA-P / HDA-T		M10	M12	M16	M20	
Stahlversagen						
Charakteristischer Widerstand [kN]		$\Delta N_{Rk,s,0,n}$				
Lastspielzahl	n	$\leq 10^5$	15,4	20,3	48,3	64,9
		$\leq 3 \cdot 10^5$	12,3	17,9	34,8	49,5
		$\leq 10^6$	10,4	16,8	26,5	38,0
		∞	9,2	16,3	22,7	26,7
Teilsicherheitsbeiwert	$\gamma_{Ms,N,fat}$	[-]				nach TR 061, Eq. (3)
Betonversagen						
Effektive Verankerungstiefe	h_{ef}	[mm]	100	125	190	250
Abminderungsfaktor ¹⁾		[-]	$\eta_{k,c,N,fat,n}$			
Lastspielzahl	n	$\leq 10^5$	0,64			
		$\leq 3 \cdot 10^5$	0,64			
		$\leq 10^6$	0,64			
		∞	0,64			
Teilsicherheitsbeiwert	$\gamma_{Mc,fat}$	[-]	1,5			
Lastumlagerungsfaktor für Befestigungsgruppen	ψ_{FN}	[-]	0,77			

¹⁾ $\Delta N_{Rk,(c,sp,cb),0,n} = \eta_{k,c,N,fat,n} \cdot N_{Rk,(c,sp,cb)}$ mit $N_{Rk,(c,sp,cb)}$ nach ETA-99/0009.

Hilti Hinterschnittdübel HDA

Leistung

Wesentliche Merkmale unter Zug-Ermüdungsbeanspruchung in Beton (Bemessungsverfahren I nach TR 061)

Anhang C1

Tabelle C2: Wesentliche Merkmale unter Querkzug-Ermüdungsbeanspruchung in Beton (Bemessungsverfahren I nach TR 061)

HDA-P		M10	M12	M16	M20	
Stahlversagen						
Charakteristischer Widerstand		[kN]	$\Delta V_{Rk,s,0,n}$			
Lastspielzahl	n	$\leq 10^5$	5,0	8,8	14,9	29,1
		$\leq 3 \cdot 10^5$	3,3	6,7	11,2	22,4
		$\leq 10^6$	2,6	6,1	9,6	18,9
		∞	2,5	6,0	9,0	17,5
Teilsicherheitsbeiwert	$\gamma_{Ms,V,fat}$	[-]	nach TR 061, Eq. (3)			
Betonversagen						
Effektive Ankerlänge	l_f	[mm]	70	88	90	120
Effektiver Außendurchmesser des Befestigungselements	d_{nom}	[mm]	19	21	29	35
Abminderungsfaktor ¹⁾		[-]	$\eta_{k,c,V,fat,n}$			
Lastspielzahl	n	$\leq 10^5$	0,55			
		$\leq 3 \cdot 10^5$	0,55			
		$\leq 10^6$	0,55			
		∞	0,55			
Teilsicherheitsbeiwert	$\gamma_{Mc,fat}$	[-]	1,5			
Lastumlagerungsfaktor für Befestigungsgruppen	ψ_{FV}	[-]	0,83			

¹⁾ $\Delta V_{Rk,(c,cp),0,n} = \eta_{k,c,V,fat,n} \cdot V_{Rk,(c,cp)}$ mit $V_{Rk,(c,cp)}$ nach ETA-99/0009.

Hilti Hinterschnittdübel HDA

Leistung

Wesentliche Merkmale unter Querkzug-Ermüdungsbeanspruchung in Beton
(Bemessungsverfahren I nach TR 061)

Anhang C2

Tabelle C3: Wesentliche Merkmale unter Querkzug-Ermüdungsbeanspruchung in Beton (Bemessungsverfahren I nach TR 061)

HDA-T		M10	M12	M16	M20	
Stahlversagen						
Charakteristischer Widerstand		[kN]	$\Delta V_{Rk,s,0,n}$			
Lastspielzahl	n	$\leq 10^5$	15,9	21,8	34,2	29,1
		$\leq 3 \cdot 10^5$	12,6	18,5	27,7	22,4
		$\leq 10^6$	10,3	16,5	24,4	18,9
		∞	8,5	15,0	23,0	17,5
Teilsicherheitsbeiwert	$\gamma_{Ms,V,fat}$	[-]	nach TR 061, Eq. (3)			
Betonversagen						
Effektive Ankerlänge	l_f	[mm]	70	88	90	120
Effektiver Außendurchmesser des Befestigungselements	d_{nom}	[mm]	19	21	29	35
Abminderungsfaktor ¹⁾		[-]	$\eta_{k,c,V,fat,n}$			
Lastspielzahl	n	$\leq 10^5$	0,55			
		$\leq 3 \cdot 10^5$	0,55			
		$\leq 10^6$	0,55			
		∞	0,55			
Teilsicherheitsbeiwert	$\gamma_{Mc,fat}$	[-]	1,5			
Lastumlagerungsfaktor für Befestigungsgruppen	ψ_{FV}	[-]	0,83			

¹⁾ $\Delta V_{Rk,(c,cp),0,n} = \eta_{k,c,V,fat,n} \cdot V_{Rk,(c,cp)}$ mit $V_{Rk,(c,cp)}$ nach ETA-99/0009.

Hilti Hinterschnittdübel HDA

Leistung

Wesentliche Merkmale unter Querkzug-Ermüdungsbeanspruchung in Beton
(Bemessungsverfahren I nach TR 061)

Anhang C3

Tabelle C4: Wesentliche Merkmale unter Zug-Ermüdungsbeanspruchung in Beton (Bemessungsverfahren II nach TR 061)

HDA-P / HDA-T			M10	M12	M16	M20
Stahlversagen						
Charakteristischer Stahlwiderstand	$\Delta N_{Rk,s,0,\infty}$ [kN]		9,2	16,3	22,7	26,7
Teilsicherheitsbeiwert	$\gamma_{Ms,N,fat}$ [-]		1,35			
Betonversagen						
Effektive Verankerungstiefe	h_{ef} [mm]		100	125	190	250
Abminderungsfaktor ¹⁾	$\eta_{k,c,N,fat,\infty}$ [-]		0,64			
Teilsicherheitsbeiwert	$\gamma_{Mc,fat}$ [-]		1,5			
Lastumlagerungsfaktor für Befestigungsgruppen	ψ_{FN} [-]		0,77			

¹⁾ $\Delta N_{Rk,(c,sp,cb),0,\infty} = \eta_{k,c,N,fat,\infty} \cdot N_{Rk,(c,sp,cb)}$ mit $N_{Rk,(c,sp,cb)}$ nach ETA-99/0009.

Tabelle C5: Wesentliche Merkmale unter Querzug-Ermüdungsbeanspruchung in Beton (Bemessungsverfahren II nach TR 061)

HDA-P			M10	M12	M16	M20
Stahlversagen						
Charakteristischer Stahlwiderstand	$\Delta V_{Rk,s,0,\infty}$ [kN]		2,5	6,0	9,0	17,5
Teilsicherheitsbeiwert	$\gamma_{Ms,V,fat}$ [-]		1,35			
Betonversagen						
Effektive Ankerlänge	l_f [mm]		70	88	90	120
Effektiver Außendurchmesser des Befestigungselements	d_{nom} [mm]		19	21	29	35
Abminderungsfaktor ¹⁾	$\eta_{k,c,V,fat,\infty}$ [-]		0,55			
Teilsicherheitsbeiwert	$\gamma_{Mc,fat}$ [-]		1,5			
Lastumlagerungsfaktor für Befestigungsgruppen	ψ_{FV} [-]		0,83			

¹⁾ $\Delta V_{Rk,(c,cp),0,\infty} = \eta_{k,c,V,fat,\infty} \cdot V_{Rk,(c,cp)}$ mit $V_{Rk,(c,cp)}$ nach ETA-99/0009.

Hilti Hinterschnittdübel HDA

Leistung

Wesentliche Merkmale unter Zug- und Querzug-Ermüdungsbeanspruchung in Beton (Bemessungsverfahren II nach TR 061)

Anhang C4

Tabelle C6: Wesentliche Merkmale unter Querzug-Ermüdungsbeanspruchung in Beton (Bemessungsverfahren II nach TR 061)

HDA-T		M10	M12	M16	M20
Stahlversagen					
Charakteristischer Stahlwiderstand	$\Delta V_{Rk,s,0,\infty}$ [kN]	8,5	15,0	23,0	17,5
Teilsicherheitsbeiwert	$\gamma_{Ms,V,fat}$ [-]	1,35			
Betonversagen					
Effektive Ankerlänge	l_f [mm]	70	88	90	120
Effektiver Außendurchmesser des Befestigungselements	d_{nom} [mm]	19	21	29	35
Abminderungsfaktor ¹⁾	$\eta_{k,c,V,fat,\infty}$ [-]	0,55			
Teilsicherheitsbeiwert	$\gamma_{Mc,fat}$ [-]	1,5			
Lastumlagerungsfaktor für Befestigungsgruppen	ψ_{FV} [-]	0,83			

¹⁾ $\Delta V_{Rk,(c,cp),0,\infty} = \eta_{k,c,V,fat,\infty} \cdot V_{Rk,(c,cp)}$ with $V_{Rk,(c,cp)}$ according to ETA-99/0009.

Tabelle C7: Wesentliche Merkmale unter kombinierter Ermüdungsbeanspruchung in Beton (Bemessungsverfahren I und II nach TR 061)

HDA-P / HDA-T		M10	M12	M16	M20
Exponent für kombinierte Belastung	α_{sn} [-]	1,0			1,25
	α_c [-]	1,5			

Hilti Hinterschnittdübel HDA

Leistung

Wesentliche Merkmale unter Querzug- und kombinierter Ermüdungsbeanspruchung in Beton (Bemessungsverfahren I und II nach TR 061)

Anhang C5