



# CFS-D 25: FIRESTOP CABLE DISC

## Product pack

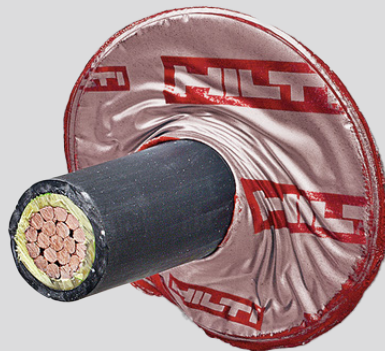
European Technical Assessment

ETA-16/0050

[TECHNICAL DATA](#) ▶

[APPLICATIONS](#) ▶

[CHANGE LOG](#) ▶



# FIRESTOP CABLE DISC CFS-D 25



LV: DataCom



MV: Electric Power



Conduits: Plastic / Metal

## APPLICATIONS

- Pre-formed firestop solution for single and multiple cables in openings up to max. 25 mm
- For use on drywall, masonry and concrete
- Suitable for a broad range of low-voltage and mid-voltage cables
- Suitable for plastic and metal conduits
- Suitable for small plastic and metal pipe penetrations
- Covers regular and irregular openings (including blank openings)
- Firestops new and existing cable installations
- Seals through-penetrations and one-sided penetrations
- All cable types currently and commonly used in building practice in Europe (e.g. power, control, signal, telecommunication, emergency and optical fiber cables)

## ADVANTAGES

- Simple – sealant-free installation
- Fast – installed in 10 seconds
- Powerful – broad application range
- Intuitive – easy to install
- Surface-mounted solution
- No backfilling material required
- Shelf life of 24 months
- Minimizes waste

## Technical data

<b>Color</b>	Red
<b>Intumescent</b>	No
<b>Application temperature range</b>	0 – 40 °C
<b>Storage and transportation temperature range</b>	-5 – 40 °C
<b>Shelf life<sup>1)</sup></b>	24 months

<sup>1)</sup> at 25°C and 50% relative humidity; from date of manufacture

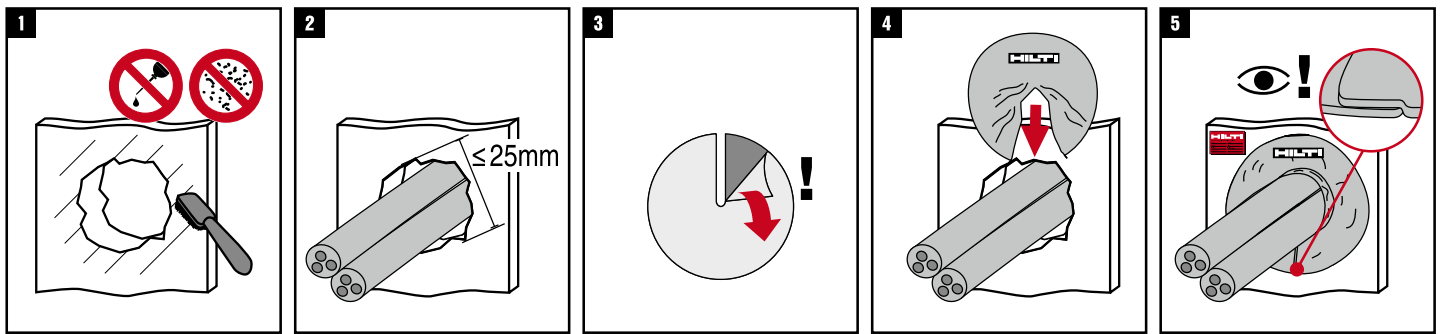


Order description	Packaging	Content	Item number
Firestop Cable Disc	Box	32 PC	2116246

# INSTALLATION INSTRUCTIONS



- en** Before handling and for specific application details, refer to Hilti product literature, 3rd party published listings and national approvals. For industrial use only.
- de** Vor Gebrauch und für spezifische Anwendungshinweise lesen Sie die Hilti Produktbeschreibungen, veröffentlichte Listungen von Fremdüberwachern und nationale Zulassungen. Nur für gewerbliche Anwender.
- fr** Avant toute utilisation et pour tout detail concernant une application, référer à la documentation Hilti, à la liste de publications des tierces parties et aux approbations nationales. Seulement pour utilisateurs professionnels.
- es** Antes de usar y para detalles específicos de aplicación, véase la información que acompaña al producto Hilti, el listado publicado por terceros y las aprobaciones nacionales. Solamente para los usuarios profesionales.



# ADDITIONAL ATTRIBUTES

Abbreviation	Description
Reaction to fire	Class E according to EN 13501-1
Dangerous substances	No dangerous substances
Protection against noise	Tested according to EN ISO 717-1 $R_w (C; C_{tr}) = 62 (-2; -7)$ dB – with and without cable
Electrical properties	Tested according to DIN IEC 60093 (VDE 0303 Part 30 : 1993-12). $7,7 \cdot 10^{14} \Omega \text{cm}$
Durability and serviceability	Y1 according ETAG 026-2
Mold & Mildew Resistance	Tested according to EN ISO 846 Class = 0
VOC	Complies with AgBB regulations
VOC	Complies with Affset regulations A+
Aging	Tested according to DAfStb regulations for the protection and rehabilitation of concrete members
Other	Not applicable / No performance determined

# APPLICATION INFORMATION

## FOR PIPES/CABLE DIAMETERS

S = Single pipe/cable\*

B = pipe/cable Bundle

\*For pipes, if no S or B, assume single pipe.

## FOR INSULATION

N-C = Non-Combustible (e.g., stone wool etc.)

C = Combustible (e.g., Armaflex, phenolic etc.)

None = No insulation

LS = Local Sustained

LI = Local Interrupted

CS = Continuous Sustained

CI = Continuous Interrupted

Please note, in many cases details have numerous pages. Please check all pages for the necessary information as differing insulation layouts might be on differing pages (e.g., LS one page 1 and LI on page 2 etc.).

## PENETRATION TYPE

Single = penetration seal intended for penetrations with only one service passing through

Multi = penetration seal intended for penetrations where more than one service of the same type (e.g. cables) or pipe material group pass through

Mixed = penetration seal intended for penetrations where more than one type of services (e.g. cables and pipes or pipes of different pipe material groups) pass through

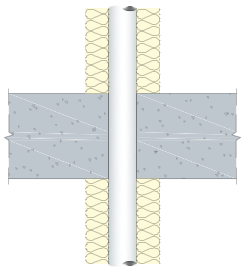
## CLASSIFICATION

Classification will give the best-case EI value possible. As such, check each specific detail as there may be instances where a higher I value is possible or another sized service within the application may attain a lower value (e.g., 110mm pipe achieves EI 120 but a 160mm pipe achieves EI 90).

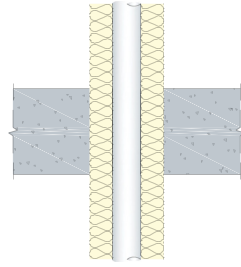
## PRODUCT/DETAIL

Full product name first/Detail ID (See specific detail for the full ID).

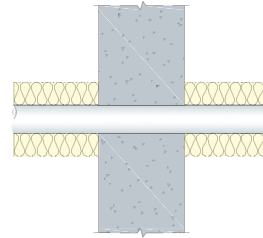
Please note, in many cases details have numerous pages. Please check all pages for the necessary information.



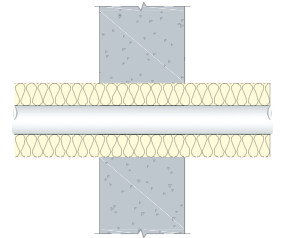
Continued Interrupted (CI)



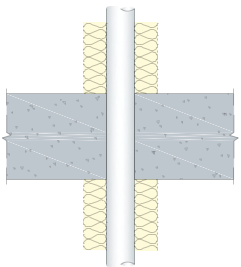
Continued Sustained (CS)



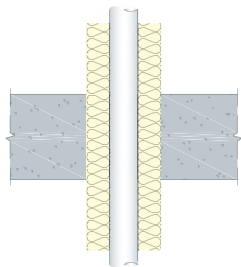
Continued Interrupted (CI)



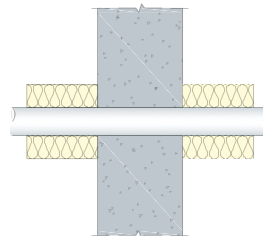
Continued Sustained (CS)



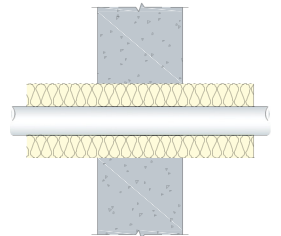
Local Interrupted (LI)



Local Sustained (LS)



Local Interrupted (LI)



Local Sustained (LS)



Single board drywall	Double board drywall	Rigid wall	Timber wall	Sandwich panel	Rigid floor	Timber floor	Metal deck	Linear joints				
Mechanical			Electrical			HVAC						
Min. base material thickness	Material	Pipes <sup>1</sup>		N/C	Insulation <sup>1</sup>			Penetration type <sup>1</sup>			Classification <sup>1</sup>	Product/Detail <sup>1</sup>
		Size			C	None	Single	Multi	Mixed			
≥ 100	Copper	Ø ≤ 16				✓		✓			EI 60	CFS-D 25:FW/RW-M-01
≥ 100	Steel	Ø ≤ 16				✓		✓			EI 60	CFS-D 25:FW/RW-M-01



Single board drywall	Double board drywall	Rigid wall	Timber wall	Sandwich panel	Rigid floor	Timber floor	Metal deck	Linear joints		
Mechanical		Electrical				HVAC				
Min. base material thickness	Cables	Tray	Electrical service			Penetration type <sup>i</sup>			Classification <sup>i</sup>	Product/Detail <sup>i</sup>
			Conduit	NC or C conduit	Trunking	Single	Multi	Mixed		
≥ 100	S = Ø ≤ 21 B = Ø ≤ 21					✓	✓		EI 120	CFS-D 25:FW/RW-E-01
≥ 100			S = Ø ≤ 16	C		✓			EI 90	CFS-D 25:FW/RW-E-02





Single board drywall	Double board drywall	Rigid wall	Timber wall	Sandwich panel	Rigid floor	Timber floor	Metal deck	Linear joints				
Mechanical			Electrical			HVAC						
Min. base material thickness	Material	Pipes <sup>1</sup>		N/C	Insulation <sup>1</sup>			Penetration type <sup>1</sup>			Classification <sup>1</sup>	Product/Detail <sup>1</sup>
		Size			C	None	Single	Multi	Mixed			
≥ 100	Copper	Ø ≤ 16				✓		✓			EI 60	CFS-D 25:FW/RW-M-01
≥ 100	Steel	Ø ≤ 16				✓		✓			EI 60	CFS-D 25:FW/RW-M-01



Single board drywall	Double board drywall	Rigid wall	Timber wall	Sandwich panel	Rigid floor	Timber floor	Metal deck	Linear joints		
Mechanical			Electrical			HVAC				
Min. base material thickness	Cables	Tray	Electrical service			Penetration type <sup>i</sup>			Classification <sup>i</sup>	Product/Detail <sup>i</sup>
			Conduit	NC or C conduit	Trunking	Single	Multi	Mixed		
≥ 100	S = Ø ≤ 21 B = Ø ≤ 21					✓	✓		EI 120	CFS-D 25:FW/RW-E-01
≥ 100			S = Ø ≤ 16	C		✓			EI 90	CFS-D 25:FW/RW-E-02





◀ Back

# CD-25: SP-FW/RW-E-01

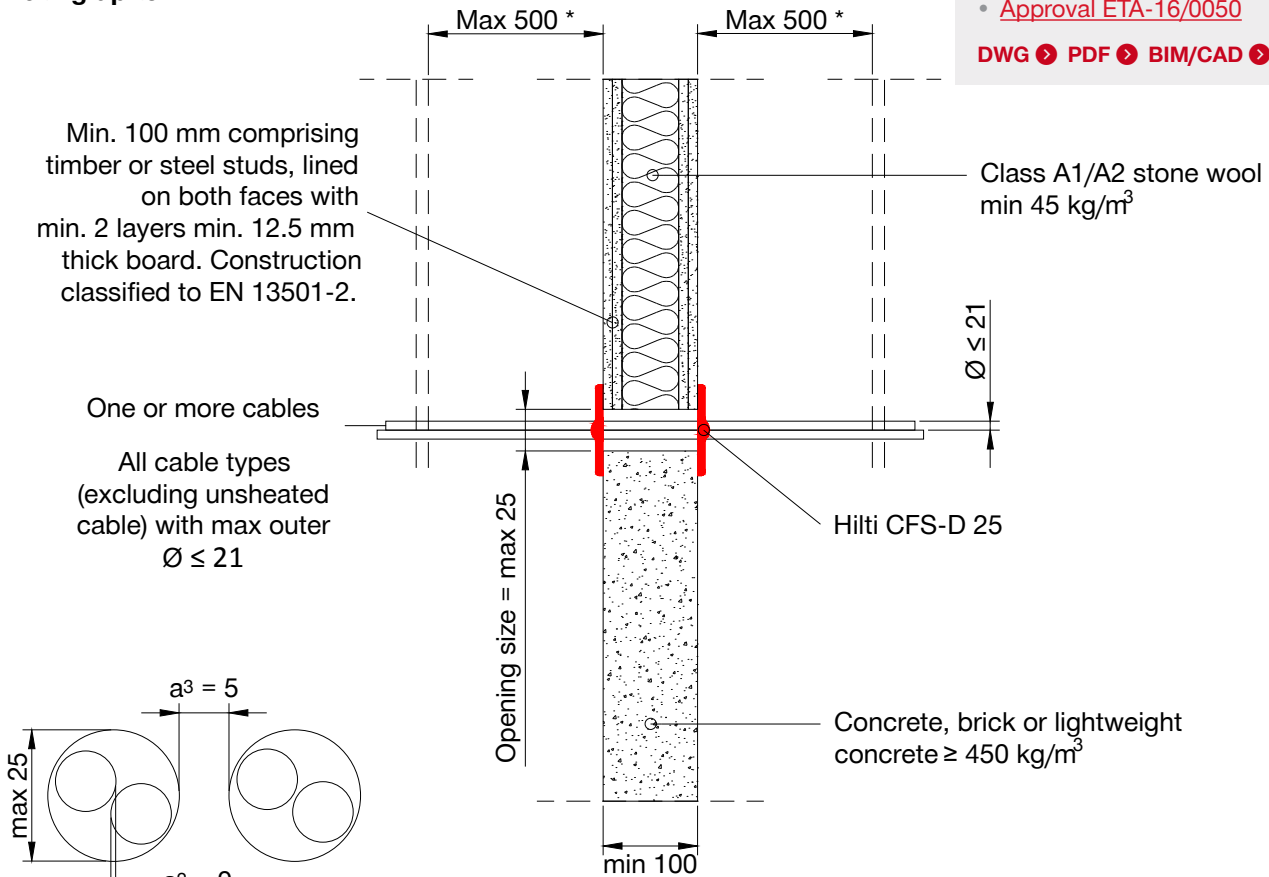
## CABLES WITHIN DRYWALL & RIGID WALL

Fire Rating up to EI 120

### Information

- Not to scale
- All units are in millimetres
- Tested according EN 1366-3
- [Approval ETA-16/0050](#)

DWG ▶ PDF ▶ BIM/CAD ▶ Web ▶



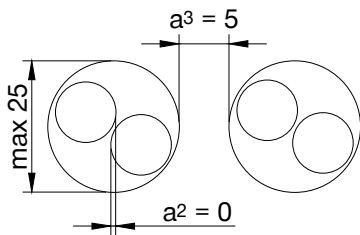
Min. 100 mm comprising timber or steel studs, lined on both faces with min. 2 layers min. 12.5 mm thick board. Construction classified to EN 13501-2.

One or more cables  
All cable types (excluding unsheathed cable) with max outer  $\varnothing \leq 21$

Class A1/A2 stone wool  
min 45 kg/m<sup>3</sup>

Hilti CFS-D 25

Concrete, brick or lightweight concrete  $\geq 450$  kg/m<sup>3</sup>



Max. opening size 625 mm<sup>2</sup> (25 x 25 mm)

- Sound insulation  $R_w = 62$  dB, according to EN ISO 717-1
- First support and ancillary products should be capable of achieving the same fire performance as the seal and supporting structure.

All cable types currently and commonly used in building practice in Europe (e.g. power, control, signal, telecommunication, data, optical fibre cables)

All sheathed cables:		Classification
Multi-conductor cables $\leq \varnothing 13$ mm	copper content $\leq 7,5$ mm <sup>2</sup> (e.g. 5x1,5 mm <sup>2</sup> ) (cable density $\leq 5,6\%$ )	EI 120
Multi-conductor cables $\varnothing \leq 19$ mm	copper content: $\leq 40$ mm <sup>2</sup> (e.g. 4x10 mm <sup>2</sup> ; 5x8 mm <sup>2</sup> ); 10x4 mm <sup>2</sup> or information cables (20x2x0,8 mm <sup>2</sup> ) (cable density $\leq 14\%$ )	EI 90
Single-conductor cables $\varnothing \leq 14$ mm	copper content: $\leq 35$ mm <sup>2</sup> (e.g. 1x35 mm <sup>2</sup> ); (cable density $\leq 23\%$ )	EI 90
Cables $\varnothing \leq 21$ mm		EI 60 E 90

1. The application limits on this detail are for guidance purposes only. For more detailed information based on the full range of available test results please contact the Hilti Technical Advisory Service.
2. The product and application has been assessed as a minimum to the BS 476 standard. It may have additional European and worldwide testing. Please contact Hilti for further information.
3. All installations should be carried out in accordance with Hilti's installation instructions and by competent & experienced installers using Hilti branded products.
4. All services are to be correctly and adequately supported to prevent collapse and distortion.

Hilti (Gt. Britain) Limited | No 1, Circle Square | 3 Symphony Park | Manchester | M1 7FS Freephone: 0800 886 100 | Website: [www.hilti.co.uk](http://www.hilti.co.uk)

**LEGAL NOTICE:** This template contains Hilti Intellectual Property which is legally protected, including Community registration of Hilti trademarks. For use only by Hilti customers and in conjunction with Hilti products. No third party use/products is authorised and breaches Hilti's intellectual property rights. Hilti accepts no responsibility for unauthorized use and reserves all rights to take legal action to enforce its rights in law.

◀ Back

# CD-25: SP-FW/RW-E-01

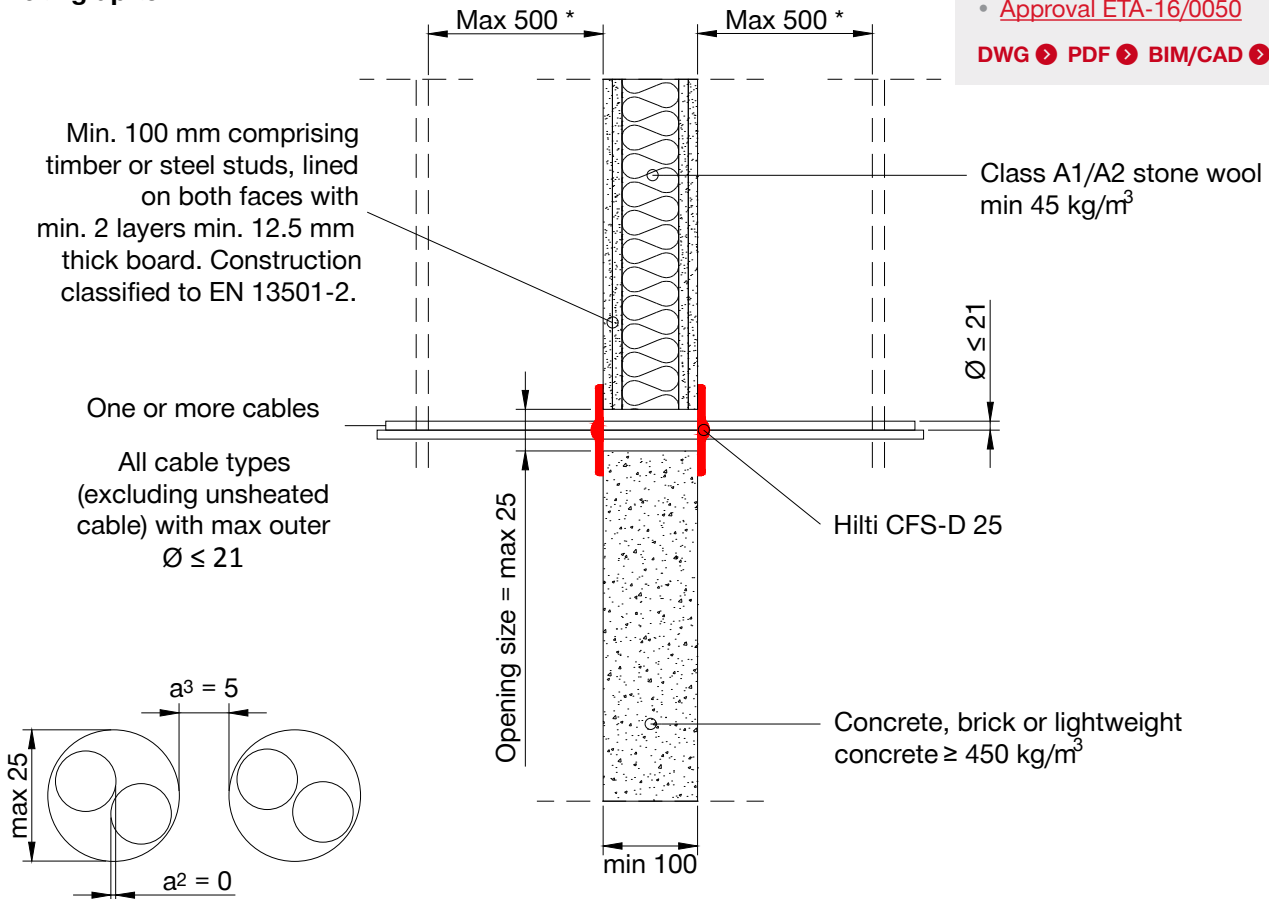
## CABLES WITHIN DRYWALL & RIGID WALL

Fire Rating up to EI 120

### Information

- Not to scale
- All units are in millimetres
- Tested according EN 1366-3
- [Approval ETA-16/0050](#)

DWG ▶ PDF ▶ BIM/CAD ▶ Web ▶



- Sound insulation  $R_w = 62 \text{ dB}$ , according to EN ISO 717-1
- First support and ancillary products should be capable of achieving the same fire performance as the seal and supporting structure.

All cable types currently and commonly used in building practice in Europe (e.g. power, control, signal, telecommunication, data, optical fibre cables)

All sheathed cables:		Classification
Multi-conductor cables $\leq \varnothing 13 \text{ mm}$	copper content $\leq 7,5 \text{ mm}^2$ (e.g. 5x1,5 mm <sup>2</sup> ) (cable density $\leq 5,6\%$ )	EI 120
Multi-conductor cables $\varnothing \leq 19 \text{ mm}$	copper content: $\leq 40 \text{ mm}^2$ (e.g. 4x10 mm <sup>2</sup> ; 5x8 mm <sup>2</sup> ); 10x4 mm <sup>2</sup> or information cables (20x2x0,8 mm <sup>2</sup> ) (cable density $\leq 14\%$ )	EI 90
Single-conductor cables $\varnothing \leq 14 \text{ mm}$	copper content: $\leq 35 \text{ mm}^2$ (e.g. 1x35 mm <sup>2</sup> ); (cable density $\leq 23\%$ )	EI 90
Cables $\varnothing \leq 21 \text{ mm}$		EI 60 E 90

1. The application limits on this detail are for guidance purposes only. For more detailed information based on the full range of available test results please contact the Hilti Technical Advisory Service.
2. The product and application has been assessed as a minimum to the BS 476 standard. It may have additional European and worldwide testing. Please contact Hilti for further information.
3. All installations should be carried out in accordance with Hilti's installation instructions and by competent & experienced installers using Hilti branded products.
4. All services are to be correctly and adequately supported to prevent collapse and distortion.

Hilti (Gt. Britain) Limited | No 1, Circle Square | 3 Symphony Park | Manchester | M1 7FS Freephone: 0800 886 100 | Website: [www.hilti.co.uk](http://www.hilti.co.uk)

**LEGAL NOTICE:** This template contains Hilti Intellectual Property which is legally protected, including Community registration of Hilti trademarks. For use only by Hilti customers and in conjunction with Hilti products. No third party use/products is authorised and breaches Hilti's intellectual property rights. Hilti accepts no responsibility for unauthorized use and reserves all rights to take legal action to enforce its rights in law.

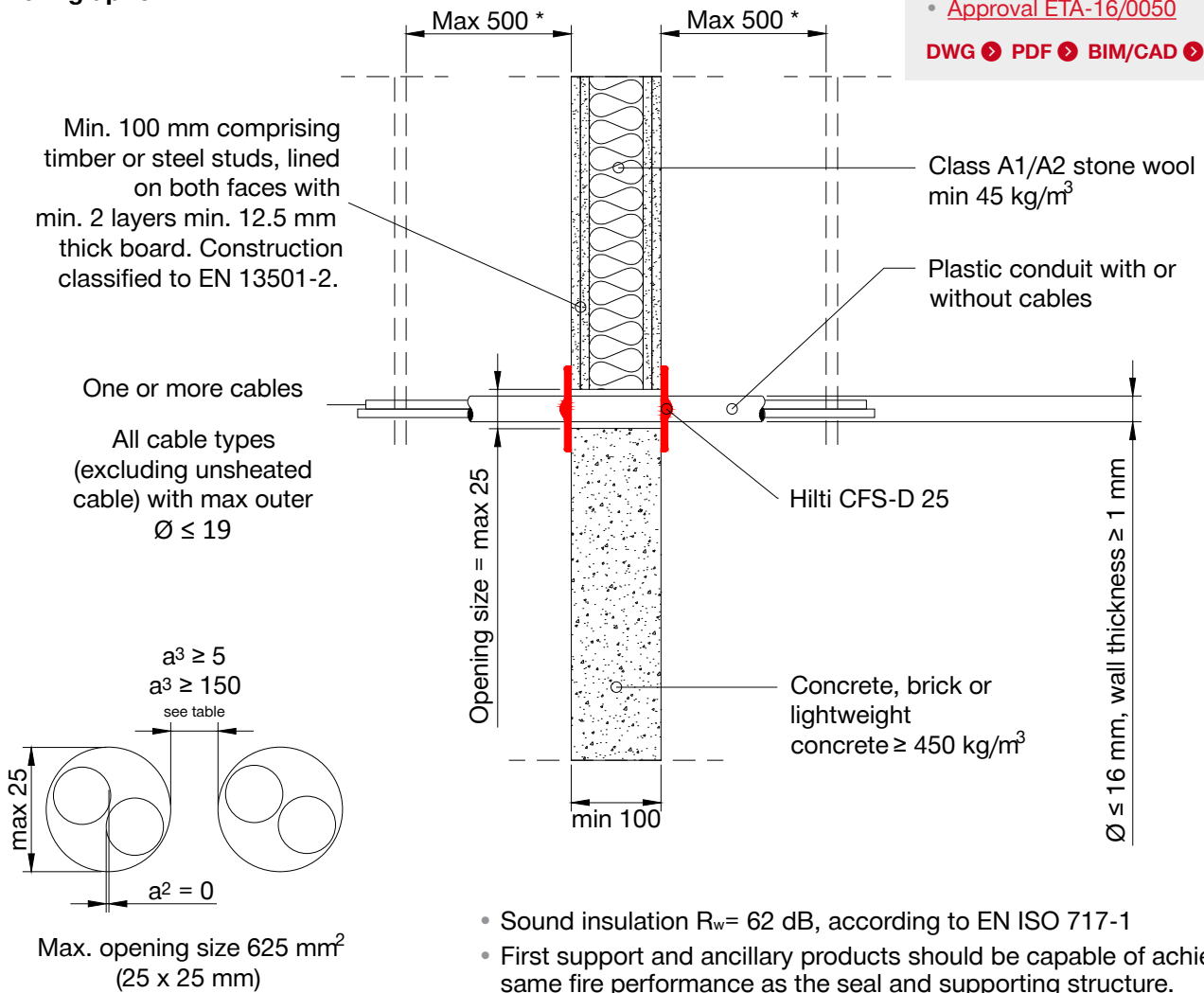
[◀ Back](#)

# CD-25: SP-FW/RW-E-02

## PLASTIC CONDUITS WITHIN DRYWALL AND RIGID WALL

**Fire Rating up to EI 90**
**Information**

- Not to scale
- All units are in millimetres
- Tested according EN 1366-3
- [Approval ETA-16/0050](#)

[DWG](#) [PDF](#) [BIM/CAD](#) [Web](#)

 $\varnothing \leq 16 \text{ mm}$ , wall thickness  $\geq 1 \text{ mm}$ 

 Distance of nerbay penetrations [ $a^3$ ]

**Classification**

Plastic conduits and plastic tubes

 $\geq 5 \text{ mm}$ 
**EI 60 C/U E 90 C/U**

Plastic conduits and plastic tubes

 $\geq 150 \text{ mm}$ 
**EI 90 C/U**

1. The application limits on this detail are for guidance purposes only. For more detailed information based on the full range of available test results please contact the Hilti Technical Advisory Service.
2. The product and application has been assessed as a minimum to the BS 476 standard. It may have additional European and worldwide testing. Please contact Hilti for further information.
3. All installations should be carried out in accordance with Hilti's installation instructions and by competent & experienced installers using Hilti branded products.
4. All services are to be correctly and adequately supported to prevent collapse and distortion.

Hilti (Gt. Britain) Limited | No 1, Circle Square | 3 Symphony Park | Manchester | M1 7FS Freephone: 0800 886 100 | Website: www.hilti.co.uk

**LEGAL NOTICE:** This template contains Hilti Intellectual Property which is legally protected, including Community registration of Hilti trademarks. For use only by Hilti customers and in conjunction with Hilti products. No third party use/products is authorised and breaches Hilti's intellectual property rights. Hilti accepts no responsibility for unauthorized use and reserves all rights to take legal action to enforce its rights in law.



◀ Back

# CD-25: SP-FW/RW-E-02

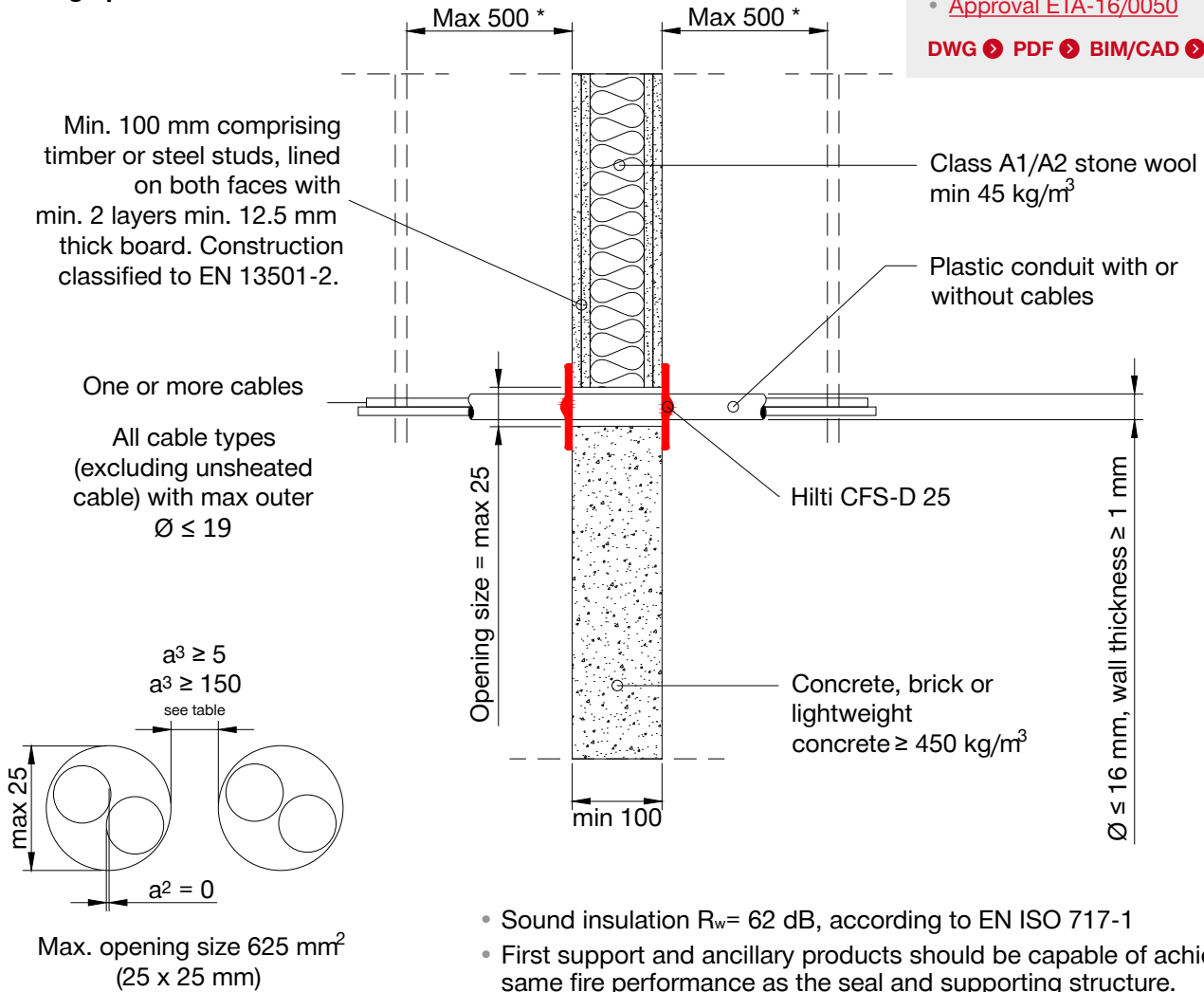
## PLASTIC CONDUITS WITHIN DRYWALL AND RIGID WALL

Fire Rating up to EI 90

### Information

- Not to scale
- All units are in millimetres
- Tested according EN 1366-3
- [Approval ETA-16/0050](#)

DWG ▶ PDF ▶ BIM/CAD ▶ Web ▶



$\varnothing \leq 16$ mm, wall thickness $\geq 1$ mm	Distance of nerbay penetrations [a³]	Classification
Plastic conduits and plastic tubes	$\geq 5$ mm	EI 60 C/U E 90 C/U
Plastic conduits and plastic tubes	$\geq 150$ mm	EI 90 C/U

1. The application limits on this detail are for guidance purposes only. For more detailed information based on the full range of available test results please contact the Hilti Technical Advisory Service.  
 2. The product and application has been assessed as a minimum to the BS 476 standard. It may have additional European and worldwide testing. Please contact Hilti for further information.  
 3. All installations should be carried out in accordance with Hilti's installation instructions and by competent & experienced installers using Hilti branded products.  
 4. All services are to be correctly and adequately supported to prevent collapse and distortion.

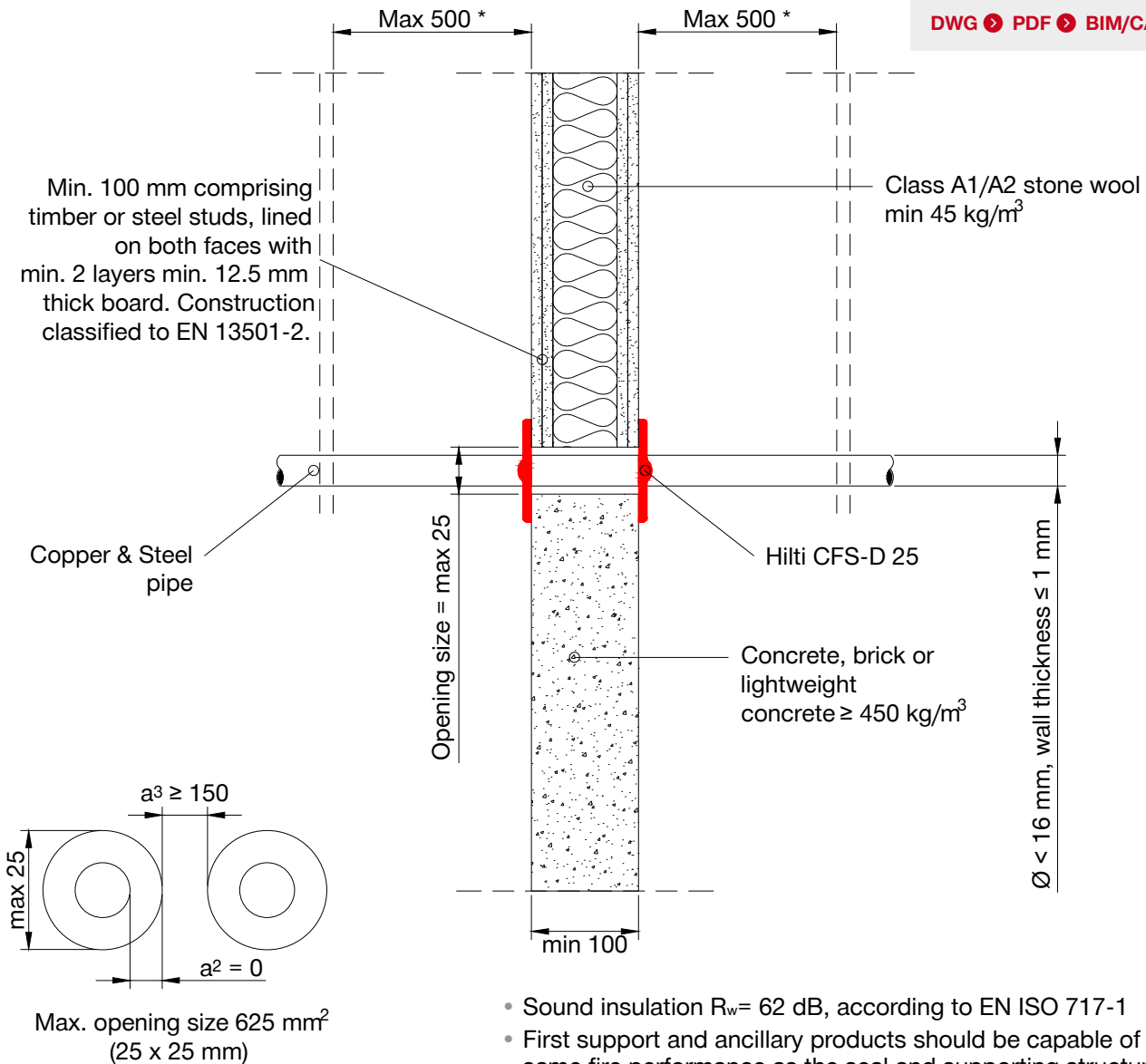
[◀ Back](#)

# SP-FW/RW-M-01

## COPPER & STEEL PIPES WITHIN DRYWALL & RIGID WALL

**Fire Rating up to EI 60**
**Information**

- Not to scale
- All units are in millimetres
- Tested according EN 1366-3
- [Approval ETA-16/0050](#)

[DWG](#) [PDF](#) [BIM/CAD](#) [Web](#)


Construction details see 1.1.2.2

Maximum one metal pipe or conduit may be included per wall opening.

Ø ≤ 16 mm, wall thickness ≥ 1 mm

 Distance of nerbay penetrations [a<sup>3</sup>]

**Classification**

Metal pipes and conduits

≥ 150 mm

**EI 60 C/U E 90 C/U**

1. The application limits on this detail are for guidance purposes only. For more detailed information based on the full range of available test results please contact the Hilti Technical Advisory Service.
2. The product and application has been assessed as a minimum to the BS 476 standard. It may have additional European and worldwide testing. Please contact Hilti for further information.
3. All installations should be carried out in accordance with Hilti's installation instructions and by competent & experienced installers using Hilti branded products.
4. All services are to be correctly and adequately supported to prevent collapse and distortion.

Hilti (Gt. Britain) Limited | No 1, Circle Square | 3 Symphony Park | Manchester | M1 7FS Freephone: 0800 886 100 | Website: www.hilti.co.uk

**LEGAL NOTICE:** This template contains Hilti Intellectual Property which is legally protected, including Community registration of Hilti trademarks. For use only by Hilti customers and in conjunction with Hilti products. No third party use/products is authorised and breaches Hilti's intellectual property rights. Hilti accepts no responsibility for unauthorized use and reserves all rights to take legal action to enforce its rights in law.

◀ Back

# SP-FW/RW-M-01

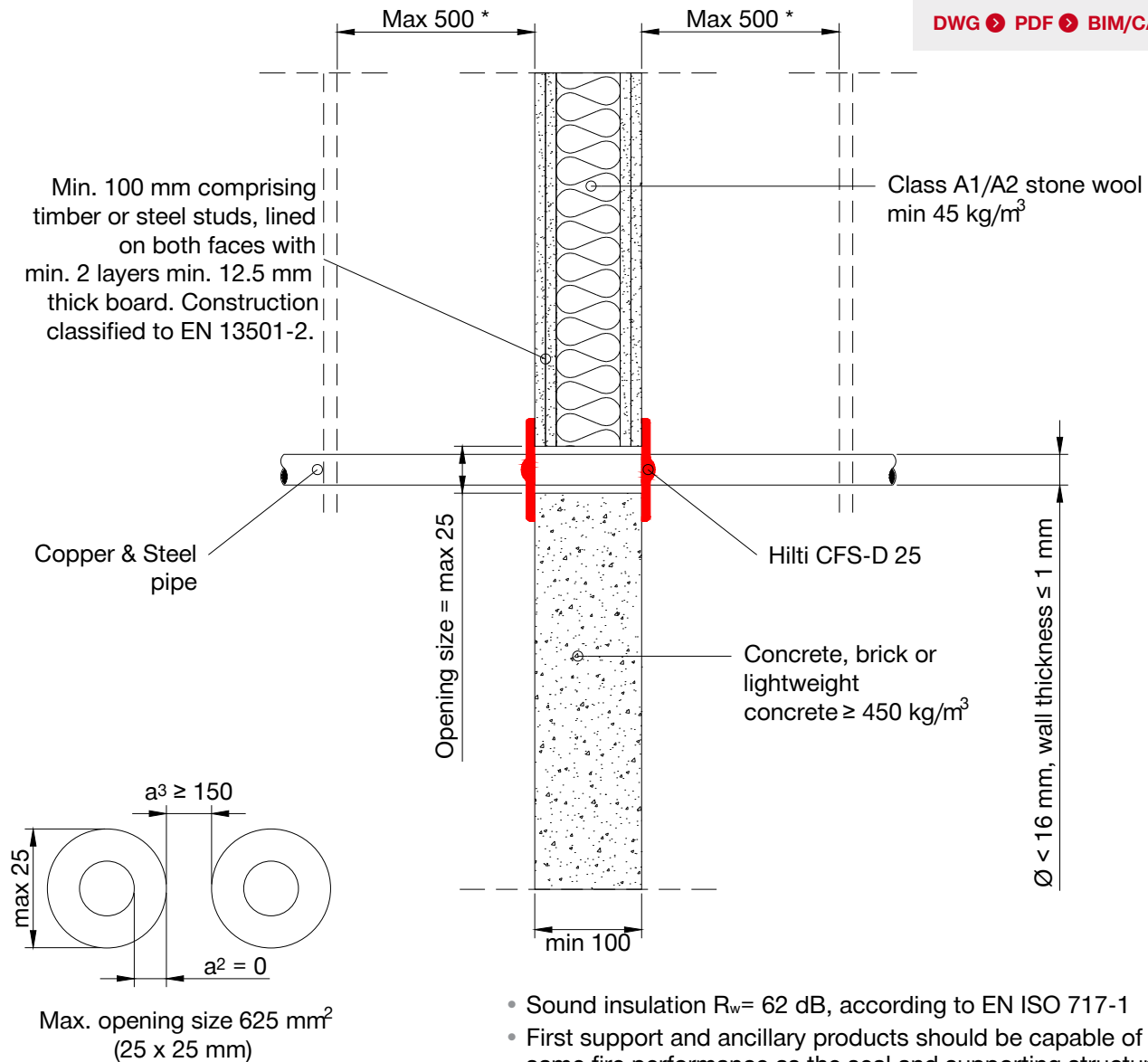
## COPPER & STEEL PIPES WITHIN DRYWALL & RIGID WALL

Fire Rating up to EI 60

**Information**

- Not to scale
- All units are in millimetres
- Tested according EN 1366-3
- [Approval ETA-16/0050](#)

DWG ▶ PDF ▶ BIM/CAD ▶ Web ▶



Construction details see 1.1.2.2

Maximum one metal pipe or conduit may be included per wall opening.

∅ ≤ 16 mm, wall thickness ≥ 1 mm

Distance of nerbay penetrations [a<sup>3</sup>]

**Classification**

Metal pipes and conduits

≥ 150 mm

**EI 60 C/U E 90 C/U**

1. The application limits on this detail are for guidance purposes only. For more detailed information based on the full range of available test results please contact the Hilti Technical Advisory Service.
2. The product and application has been assessed as a minimum to the BS 476 standard. It may have additional European and worldwide testing. Please contact Hilti for further information.
3. All installations should be carried out in accordance with Hilti's installation instructions and by competent & experienced installers using Hilti branded products.
4. All services are to be correctly and adequately supported to prevent collapse and distortion.

Hilti (Gt. Britain) Limited | No 1, Circle Square | 3 Symphony Park | Manchester | M1 7FS Freephone: 0800 886 100 | Website: www.hilti.co.uk

**LEGAL NOTICE:** This template contains Hilti Intellectual Property which is legally protected, including Community registration of Hilti trademarks. For use only by Hilti customers and in conjunction with Hilti products. No third party use/products is authorised and breaches Hilti's intellectual property rights. Hilti accepts no responsibility for unauthorized use and reserves all rights to take legal action to enforce its rights in law.







Hilti (Gt. Britain) Ltd  
No. 1 Circle Square  
3 Symphony Park Manchester  
M1 7FS

[ask.hilti.co.uk](mailto:ask.hilti.co.uk)  
[www.hilti.co.uk](http://www.hilti.co.uk)