

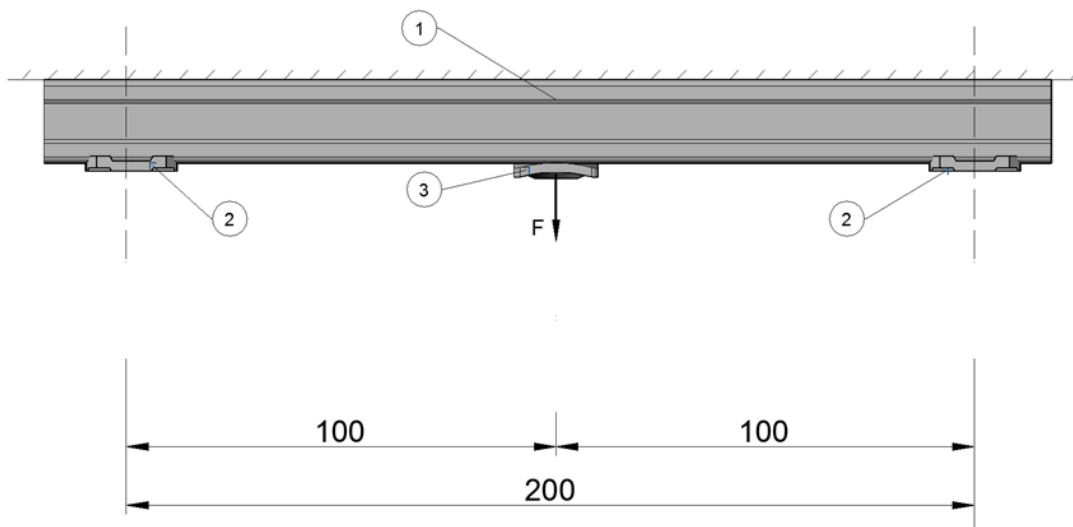


DECLARATION OF PERFORMANCE

according to Annex III of the Regulation (EU) Nr. 305/2011 (Construction Products Regulation)

1. Unique identification code of the product-type:

Hilti MQ-41/3 headrail and Hilti MQ-41/3 LL headrail



Position	Item number	Designation
1	369596, 369597, 2048102, 2048103	MQ-41/3 or MQ-41/3 LL
2	2199455	MQZ-L11
3	2199453	MQA-M12-B

2. Type, batch or serial number or any other element allowing identification of the construction product as required pursuant to Article 11(4): Type and lot number are displayed on the packaging

3. Intended use or uses of the construction product, in accordance with the applicable harmonized technical specification, as foreseen by the manufacturer:

Supporting technical equipment for building services such as pipes, conduits, ducts and cables according to the harmonized european specification EAD 280016-00-0602

4. Name, registered trade name or registered trade mark and contact address of the manufacturer as required pursuant to Article 11(5):

Hilti Corporation, Feldkircherstrasse 100, 9494 Schaan, Liechtenstein

5. Where applicable, name and contact address of the authorised representative whose mandate covers the tasks specified in Article 12(2): n/a

6. System or systems of assessment and verification of constancy of performance of the construction product as set out in Annex V: System 3

7. In case of the declaration of performance concerning a construction product covered by a harmonised standard: n/a

8. In case of the declaration of performance concerning a construction product for which a European Technical Assessment has been issued:

Deutsches Institut für Bautechnik (DIBt) issued ETA 17/1067 on the basis of EAD No. 280016-00-0602.

MFPA Leipzig performed third party tasks under system 3 and issued the Assessment Report G 6.1/17-044-1.



9. Declared performance

Essential Characteristics	Declared Performance	Harmonized Technical Specification
Characteristics at elevated temperature	see ETA 17/1067	EAD Nr.: 280016-00-0602
Reaction to fire	A1	

10. The performance of the product identified in points 1 and 2 is in conformity with the declared performance in point 9. This declaration of performance is issued under the sole responsibility of the manufacturer identified in point 4.

Signed for and on behalf of the manufacturer by:

X 

Peter Rupp
Head of Business Unit Installation

X 

Maximilian Schubert
Head of Quality BU Installation

Hilti Corporation, Schaan, July 2018