

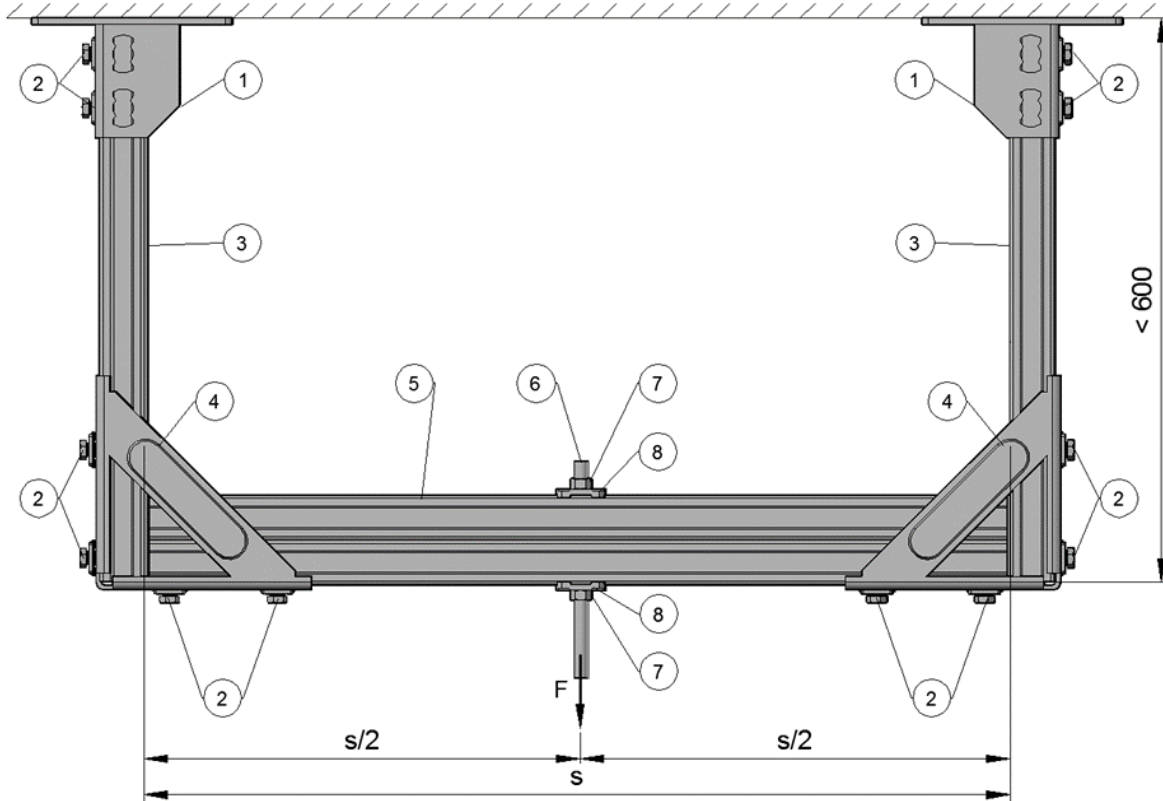


## DECLARATION OF PERFORMANCE

according to Annex III of the Regulation (EU) Nr. 305/2011 (Construction Products Regulation)

### 1. Unique identification code of the product-type:

Hilti trapeze frame



Trapeze frame with  $s = 700 \text{ mm}$ ,  $1000 \text{ mm}$ ,  $1250 \text{ mm}$  and centric connection for load introduction

Position	Item number	Designation
1	369651	MQP-21-72
2	2184853	MQN-B
3	369596, 369597, 2048102, 2048103	MQ-41/3 or MQ-41/3 LL
4	369665	MQW-S/2
5	369603, 369604	MQ-41 D
6	339797, 216420, 216421	Threaded rod M12
7	216467	Hexagon-nut M12
8	2199456	MQZ-L13

**2. Type, batch or serial number or any other element allowing identification of the construction product as required pursuant to Article 11(4):** Type and lot number are displayed on the packaging

**3. Intended use or uses of the construction product, in accordance with the applicable harmonized technical specification, as foreseen by the manufacturer:**

Supporting technical equipment for building services such as pipes, conduits, ducts and cables according to the harmonized european specification EAD 280016-00-0602



**4. Name, registered trade name or registered trade mark and contact address of the manufacturer as required pursuant to Article 11(5):**

Hilti Corporation, Feldkircherstrasse 100, 9494 Schaan, Liechtenstein

**5. Where applicable, name and contact address of the authorised representative whose mandate covers the tasks specified in Article 12(2): n/a**

**6. System or systems of assessment and verification of constancy of performance of the construction product as set out in Annex V: System 3**

**7. In case of the declaration of performance concerning a construction product covered by a harmonised standard: n/a**

**8. In case of the declaration of performance concerning a construction product for which a European Technical Assessment has been issued:**

Deutsches Institut für Bautechnik (DIBt) issued ETA 18/0133 on the basis of EAD No. 280016-00-0602.

MFPA Leipzig performed third party tasks under system 3 and issued the Assessment Report G 6.1/17-044-1.

**9. Declared performance**

Essential Characteristics	Declared Performance	Harmonized Technical Specification
Characteristics at elevated temperature	see ETA 18/0133	EAD Nr.: 280016-00-0602
Reaction to fire	A1	

**10. The performance of the product identified in points 1 and 2 is in conformity with the declared performance in point 9. This declaration of performance is issued under the sole responsibility of the manufacturer identified in point 4.**

Signed for and on behalf of the manufacturer by:

X

Peter Rupp  
Head of Business Unit Installation

X

Maximilian Schubert  
Head of Quality BU Installation

Hilti Corporation, Schaan, July 2018