

HILTI

X-PT 2

Operating instructions

en

Mode d'emploi

fr

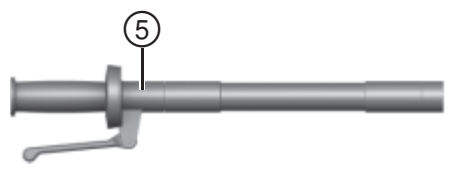
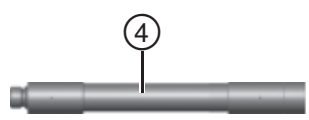
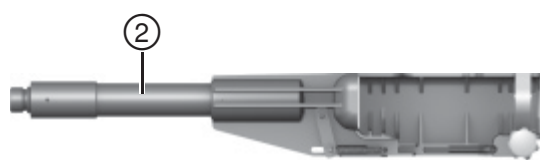
Manual de instrucciones

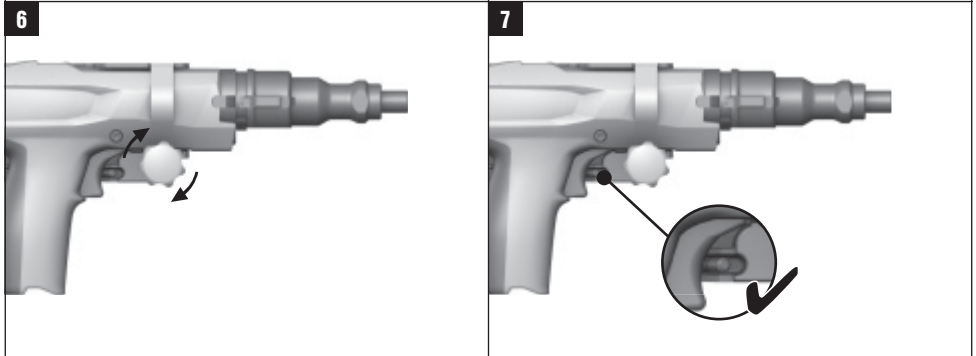
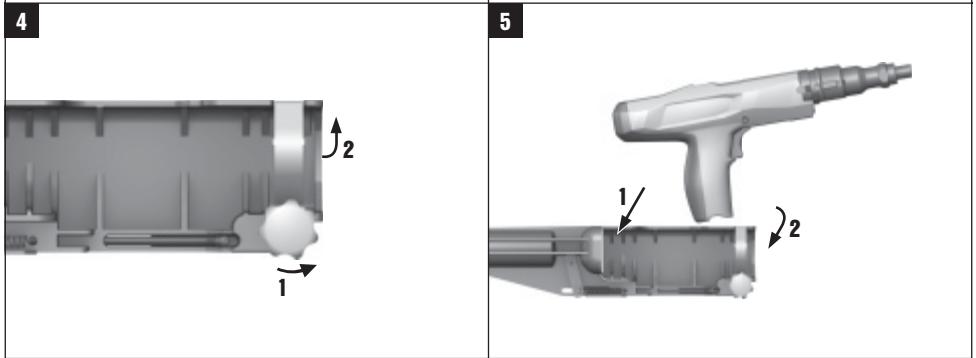
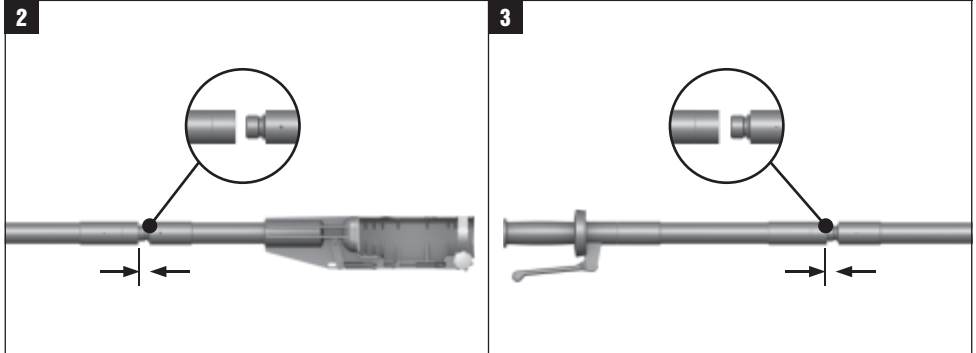
es

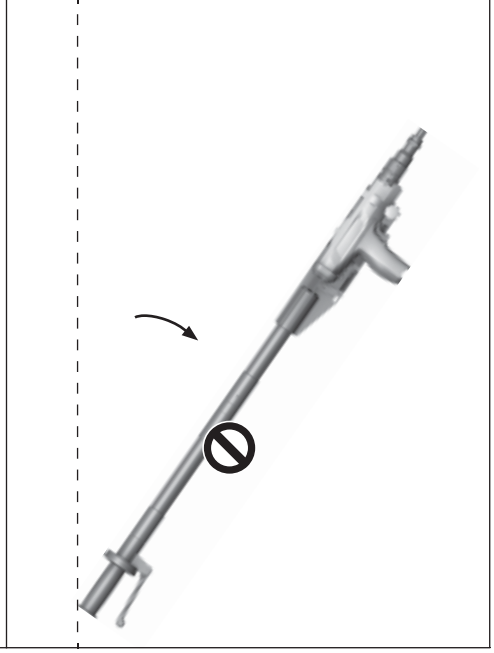
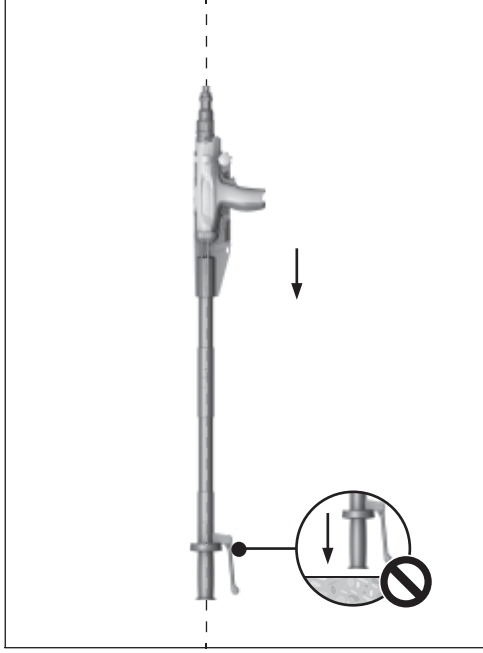
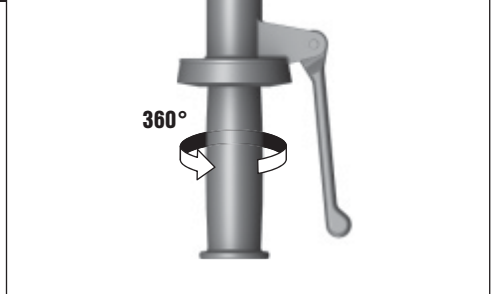
Manual de instruções

pt









Programme

Technical description

No.	Description	Length	Weight	Ordering designation	Item no.
①	Pole tool	3½ ft (1.14 m)*	2.0 kg	X-PT 2	2105327
②	Tool holder	1 ¹¹ / ₁₆ ft (0.51 m)	0.6 kg		2094657
③	Extension	3 ft (0.93 m)	0.7 kg	DXA 3 ft	254684/4
④	Extension	1 ft (0.31 m)	0.3 kg	DXA 1 ft	254685/1
⑤	Grip section assy	1 ⁹ / ₁₆ ft (0.48 m)	0.7 kg		254687/7

*Overall length incl. DX 2

Selection chart

Pos.	Part	Number of sections			
		5 ft (1.45 m)	7 ft (2.07 m)	10 ft (3.00 m)	13 ft (3.93 m)
②	Tool holder	1	1	1	1
③	Extension	–	1	2	3
④	Extension	1	–	–	–
⑤	Grip section assy	1	1	1	1

Intermediate lengths, e.g. 8 ft (2.39 m) can be achieved by fitting a 1 ft (0.31 m) extension to the 7 ft (2.07 m) version

Malfunctioning and troubleshooting

Malfunction	Solution to problem (after lowering the pole tool – see cover)
Tool does not fire.	Check that the tubular extension pieces are screwed in as far as they will go.
Cartridge has not been transported.	Advance the cartridge strip manually (pull) to the next position.

Manufacturer's warranty - tools

Please contact your local Hilti representative if you have questions about the warranty conditions.

Assembling the pole tool

- 2** Screw together the tubular sections and the tool holder. Tighten the parts by hand only – do not use tools, wrenches etc.
- 3** Screw on the grip section. The maximum permitted overall length including the tool is 13 ft. (3.96 m). A maximum of 3 extension tubes may be used.
- 4** Open the clamping bar by unscrewing the knurled screw.
- 5** Insert the DX 2.
- 6** Secure the tool with the clamping bar by tightening the knurled screw.
- 7** The firing lever must be positioned in front of the trigger.

The pole tool should be not used if the grip section, DX tool holder or tubular extension sections are cracked or otherwise damaged. Defective parts should be replaced.

Operation

- 8** Please refer to the DX 2 operating instructions for information on loading and using the DX tool.
- 9** Fastening: Hold the pole tool at right angles to the surface into which the fastener is to be driven. Press the muzzle of the tool against the work surface and then operate the firing lever located on the grip section.
- 10** The grip section can be rotated in order to achieve a comfortable operating position.

Caution: Do not hold the pole tool at an angle to the ceiling. It must always be held perpendicular to the surface of the material into which the fastener is to be driven.

- 11** Lower the tool for reloading as shown in the illustration.

Caution: Do not bump/hit/drop grip on hard surfaces (eg. floor, ground).

- 12** **Caution: Do not swing the pole tool down horizontally while holding the end of the extension tubes.**

Disassembly

The DX tool should be removed and the pole tool disassembled in the reverse order to assembling the tool.



Hilti Corporation

LI-9494 Schaan

Tel.: +423 / 234 21 11

Fax: +423 / 234 29 65

www.hilti.com

Hilti = registered trademark of Hilti Corp., Schaan
Pos. 1 | 20150528

