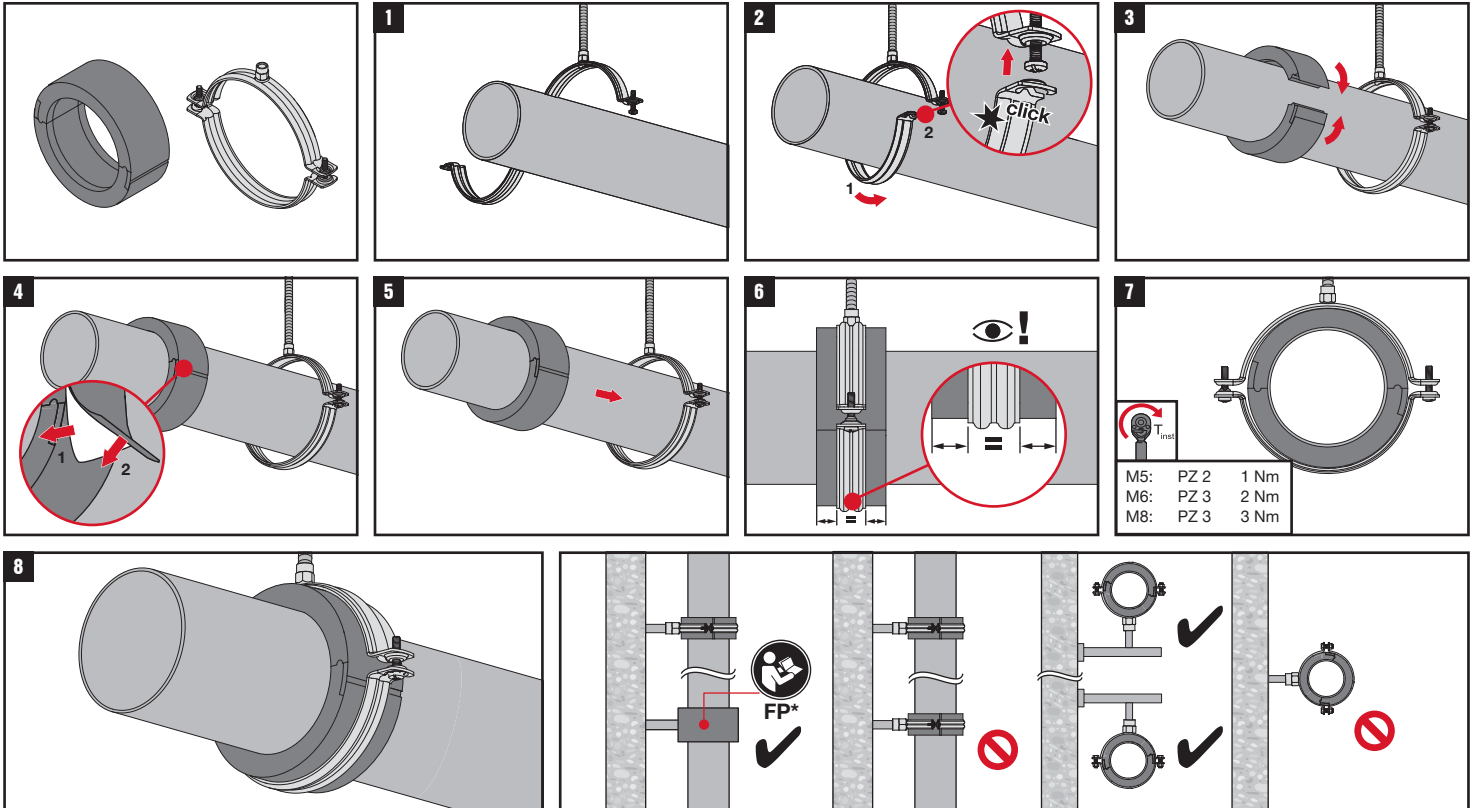




MRP-C 13/10 – MRP-C 13/114 | MRP-C 19/10 – MRP-C 19/114
MRP-C 25/10 – MRP-C 25/114 | MRP-C 32/10 – MRP-C 32/114

2419092-05.2024



*FP = Fixed Point/Fixpunkt